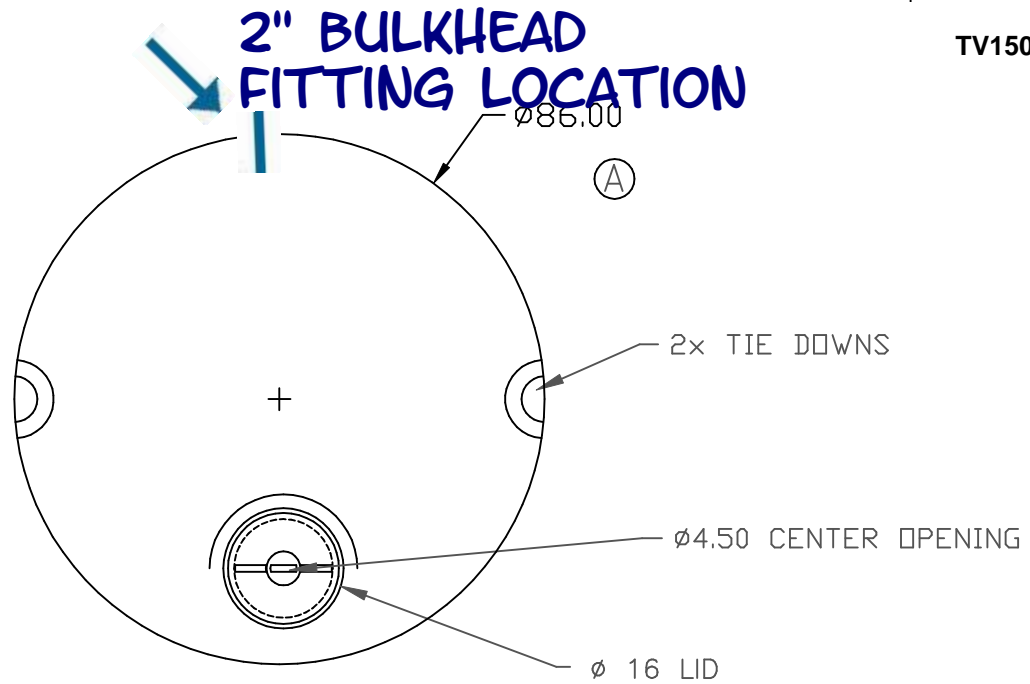


← GO BACK

TV1500GAL-PE-86DIA

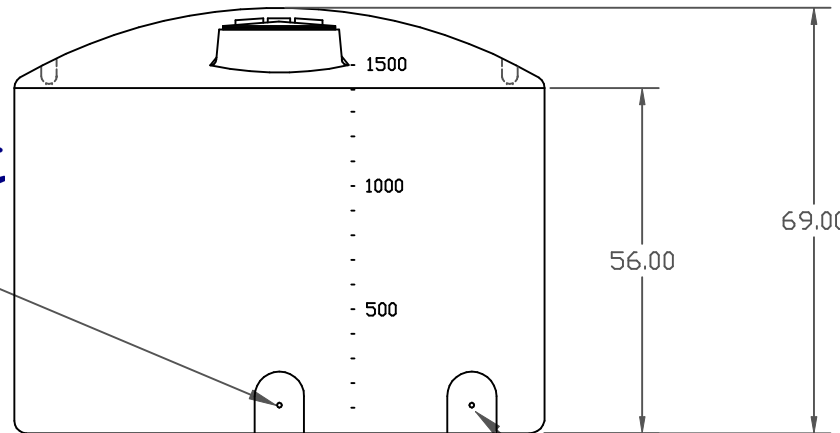
ADD 1 BULKHEAD FITTING FOR TANK OVERFLOW PIPE

2" BULKHEAD FITTING LOCATION



AS CLOSE TO TOP AS POSSIBLE →

8 X 10 FLAT FOR FITTING 2 INCH STANDARD FITTING



FLAT 45° FROM FRONT FLAT

CSI

ChemIndustrial Systems, Inc.
PO Box 500, Cedarburg, WI 53012
262-375-8570 • (Fax) 262-375-8559 • info@chemindustrial.com

CLIENT / DESCRIPTION

1500 GALLON VERTICAL TANK

SCALE

N.S.

PART NO.

TV1500GAL-PE-86DIA

DRAWN / DATE				MATERIAL	
DHJ 01/13/04				HDPE OR EQUIVALENT REFERENCE MATERIAL DATA SHEET FOR SPECIFIC PROPERTIES.	
APPRD. / DATE				NOTES:	
ADH 11/19/07					
THIRD ANGLE PROJECTION ANSI 14.5M	<p>1. BLUE, BLACK, GREEN, WHITE, OR YELLOW COLOR</p> <p>2. SHOT WEIGHT 250 LBS.</p> <p>3. NOM. WALL .300</p>				

ALL DIMENSIONS ARE IN DECIMAL INCHES
TOLERANCES UNLESS OTHERWISE SPECIFIED

± 1% @ 68° F

