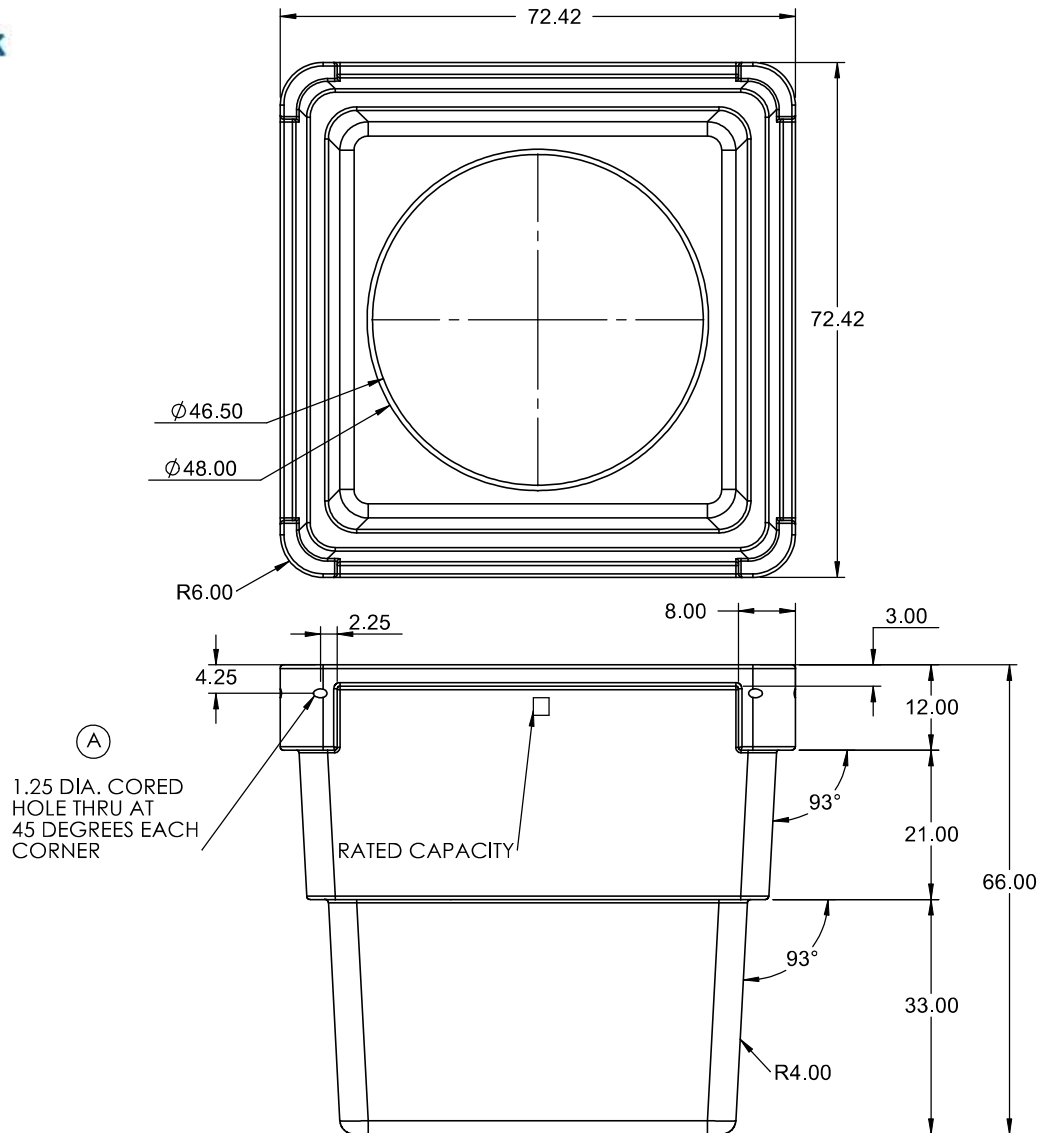


← GO BACK

TOP825-GAL-PE-RT



STACK 5 HIGH UPSIDE DOWN FOR STORAGE

				DRAWN / DATE ADH 6/25/08	MATERIAL 10538 POWDER.	<p style="text-align: center;">CSI ChemIndustrial Systems, Inc. PO Box 500, Cedarburg, WI 53012 262-375-8570 • (Fax) 262-375-8559 • info@chemindustrial.com</p>	
				APPROD. / DATE REH 7/1/08			
A	ADDED CORNER HOLES	REH 1/5/09	1775				
REV	DESCRIPTION	BY / DATE	CCN				
ALL DIMENSIONS ARE IN DECIMAL INCHES TOLERANCES UNLESS OTHERWISE SPECIFIED				SHOT WEIGHT: 288 LB.	NOTES: 1. NATURAL COLOR STD. 2. .350 WALL THICKNESS		DESCRIPTION 825 GALLON CONTAINMENT TANK
POLYETHYLENE ±1% @ 68°F		METAL DECIMAL ± .125" FRACTION ± 1/4" ANGLE ± 1°		SHIPPING WEIGHT: 276 LB.			SCALE
ANSI 14.5M				FINISH: BEAD BLAST			