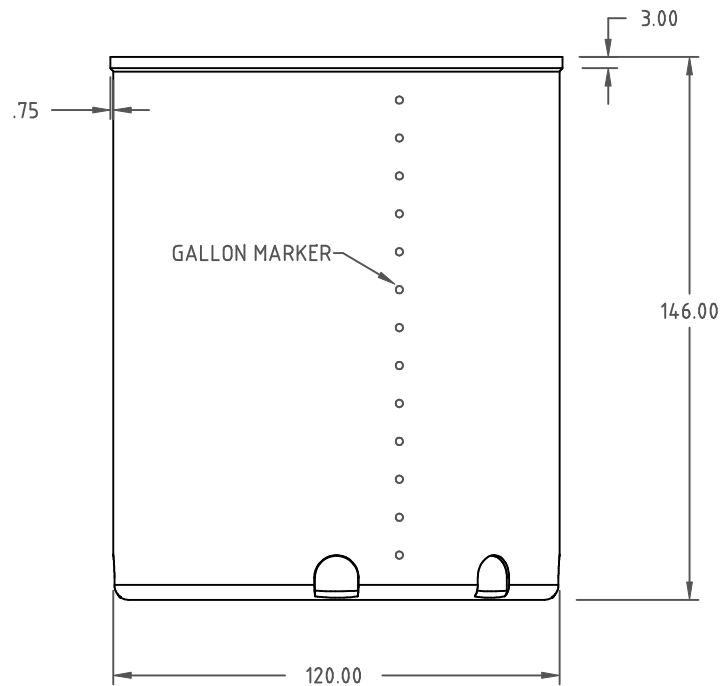
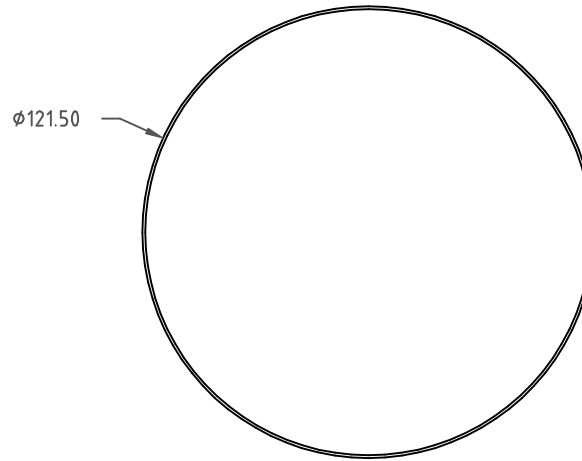
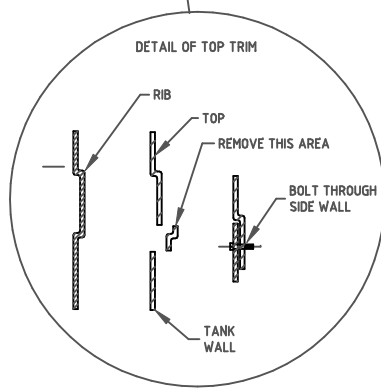
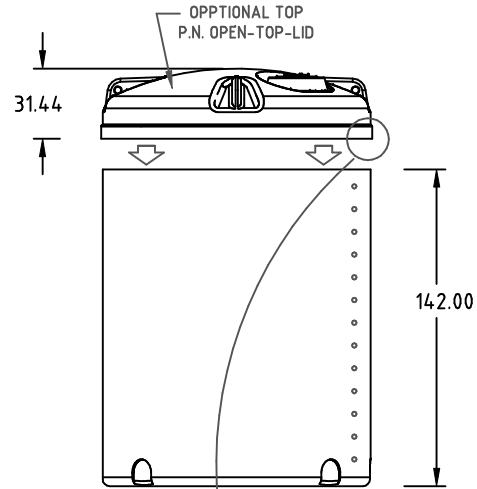


TANK TOP OPTION

TANK MAY BE CONVERTED FOR A BOLT- ON TOP. CUT TANK AS SHOWN. TANK CAN THEN BE USED IN APPLICATIONS REQUIRING A REMOVEABLE TOP.



CSI

ChemIndustrial Systems, Inc.
 PO Box 500, Cedarburg, WI 53012
 262-375-8570 • (Fax) 262-375-8559 • info@chemindustrial.com

				DRAWN /DATE DHJ 5/22/08	MATERIAL
A	REDRAWN TO CLARIFY TOP OPTION	DHJ / 6/12/08	1678	APPRD. /DATE REH 6/12/08	HDPE OR EQUIVALENT REFERENCE MATERIAL DATA SHEET FOR SPECIFIC PROPERTIES
REV	DESCRIPTION	DATE	APPRD.	CCN	
ALL DIMENSIONS ARE IN DECIMAL INCHES TOLERANCES UNLESS OTHERWISE SPECIFIED				THIRD ANGLE PROJECTION ANSI 14.5M	NOTES: 1. 1.00 THICK AT FLATS 2. WEIGHT WITH TOP 1900 LBS. 3. WEIGHT NO TOP 1525 LBS.
± 1 % @ 68°F					

CLIENT / DESCRIPTION 6800 GALLON OPEN TOP	
SCALE NONE	PART NO. TOP6800GAL-PE-120DIA