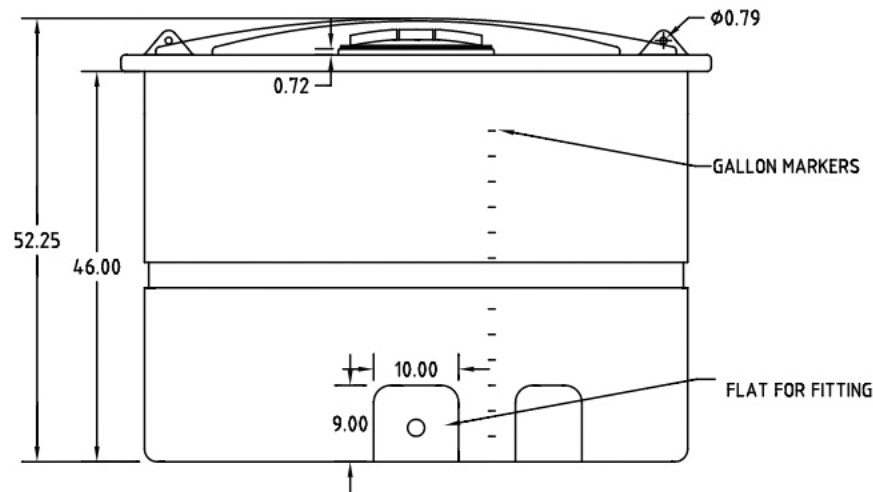
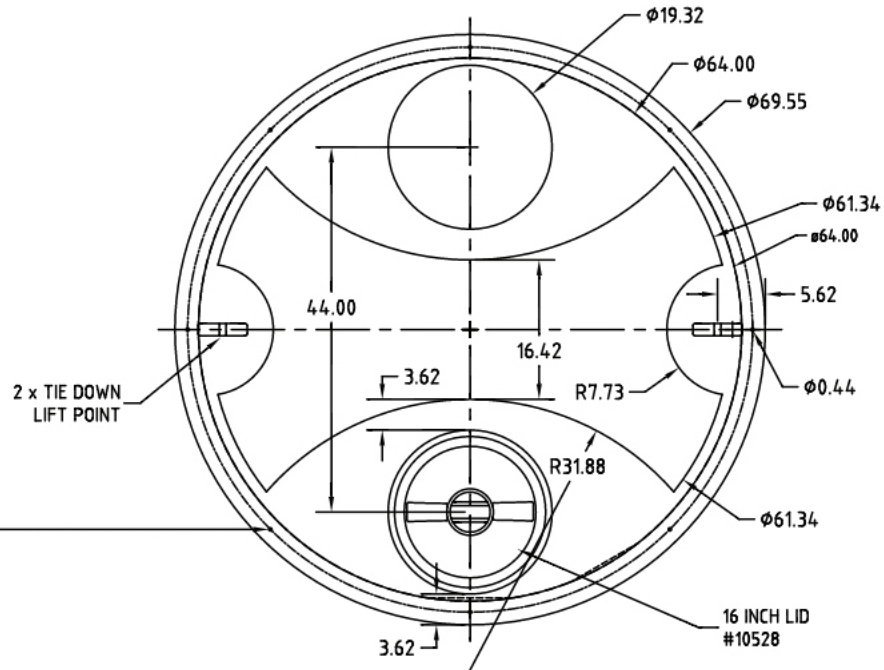
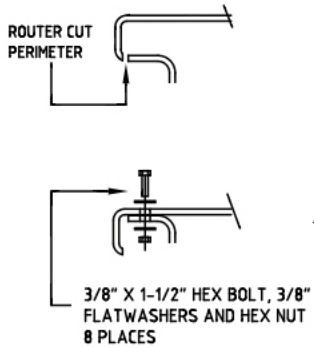


← GO BACK

LID TRIM AND FASTENING DETAIL



DRAWN / DATE	DHJ 2/2/12
APPRD. / DATE	REH 3/6/12
MATERIAL	10420
SHOT WEIGHT:	100 LBS.
SHIPPING WEIGHT:	102 LBS.
FINISH:	
NOTES:	1. .17 WALL

CSI
 ChemIndustrial Systems, Inc.
 PO Box 500, Cedarburg, WI 53012
 262-375-8570 • (Fax) 262-375-8559 • info@chemindustrial.com

REV	DESCRIPTION	BY / DATE	CCN
ALL DIMENSIONS ARE IN DECIMAL INCHES TOLERANCES UNLESS OTHERWISE SPECIFIED			
POLYETHYLENE ±1% @ 68° F		THIRD ANGLE PROJECTION ANSI 14.5M	
METAL DECIMAL ± .125" FRACTION ± 1/4" ANGLE ± 1°			

DESCRIPTION	635 GALLON OPEN TOP WITH BOLT ON TOP	
SCALE	N.S.	PART NO. TOP635GAL-PE-64DIA