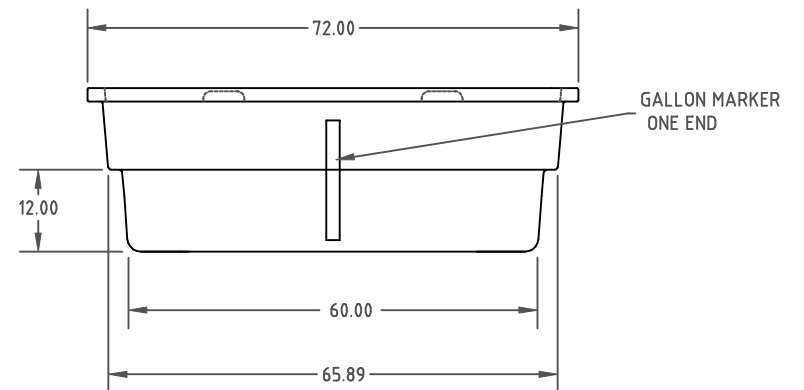
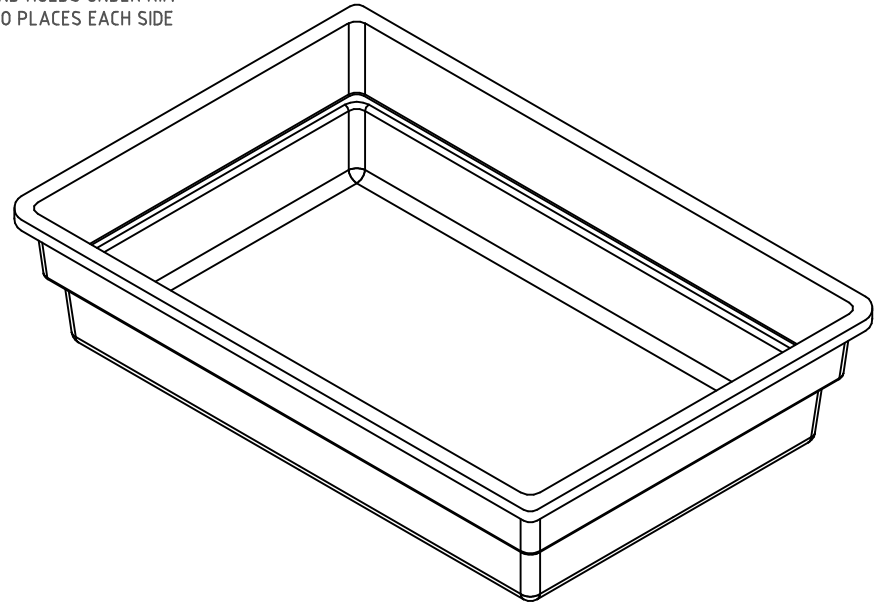


HAND HOLDS UNDER RIM
TWO PLACES EACH SIDE



GALLON MARKER
ONE END

				DRAWN /DATE DHJ 2/5/08	MATERIAL
				APPRD. /DATE REH 6/25/08	SHOT WEIGHT = 145 LBS. = .25 WALL 10538 2 MELT NATURAL RESIN
REV	DESCRIPTION	DATE APPRD.	CCN		NOTES :
ALL DIMENSIONS ARE IN DECIMAL INCHES TOLERANCES UNLESS OTHERWISE SPECIFIED $\pm 1\% @ 68^{\circ}\text{F}$				THIRD ANGLE PROJECTION ANSI 14.5M 	


ChemIndustrial Systems, Inc.
 PO Box 500, Cedarburg, WI 53012
 262-375-8570 • (Fax) 262-375-8559 • info@chemindustrial.com

SCALE NONE	PART NO. TOP625GAL-PE-RT
---------------	------------------------------------