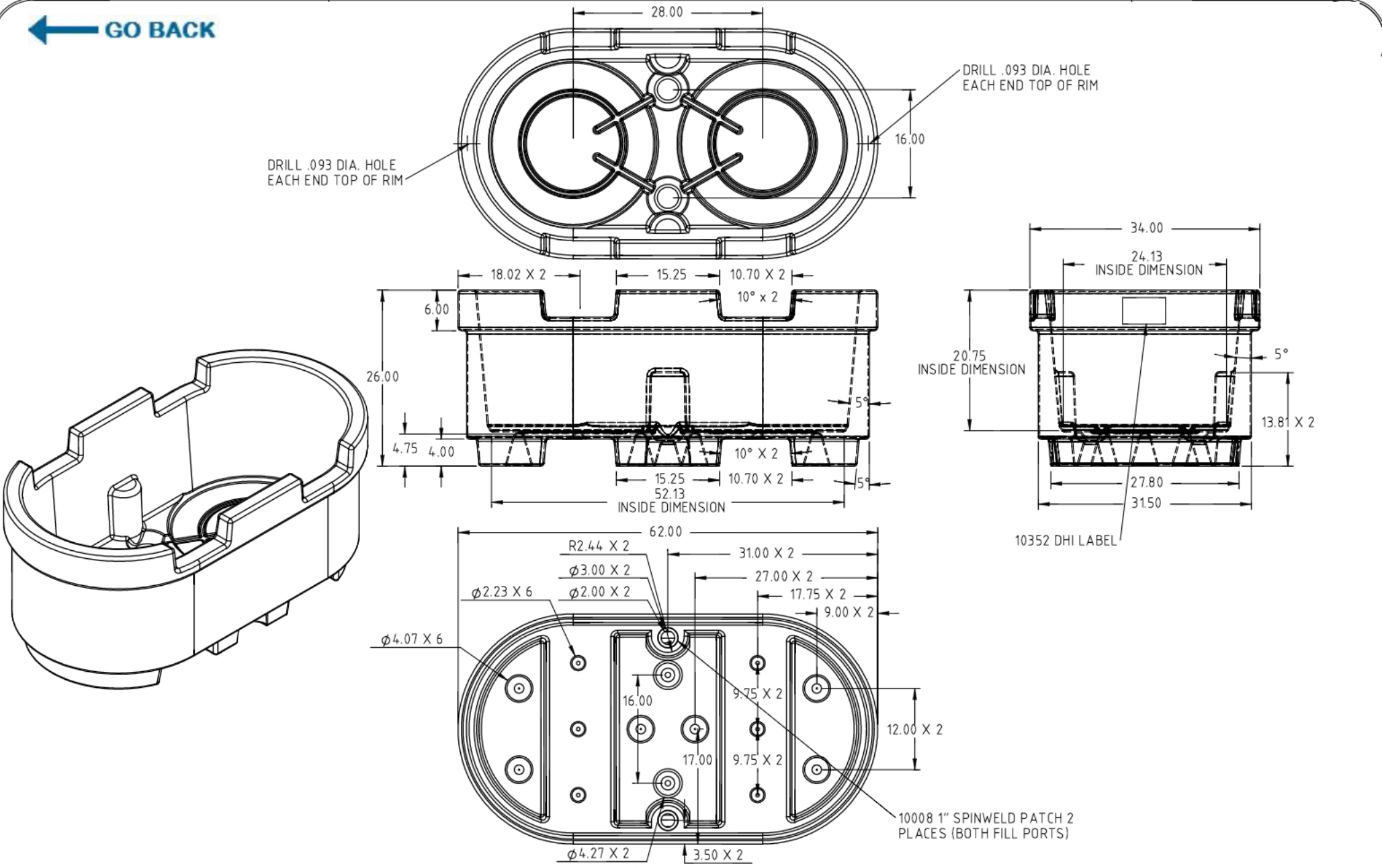


← GO BACK



REV		DESCRIPTION	BY / DATE	CCN	DRAWN / DATE ADH 12/1/09	MATERIAL 10546	<p>CSI ChemIndustrial Systems, Inc. PO Box 500, Cedarburg, WI 53012 262-375-8570 • (Fax) 262-375-8559 • info@chemindustrial.com</p>	
REV		DESCRIPTION	BY / DATE	CCN	APPRD. / DATE REH 12/10/09			
REV		DESCRIPTION	BY / DATE	CCN	APPRD. / DATE REH 12/10/09			
<p>ALL DIMENSIONS ARE IN DECIMAL INCHES TOLERANCES UNLESS OTHERWISE SPECIFIED</p>					SHOT WEIGHT: 70.00 LBS	<p>NOTES: 1.) 0.190 WALL 2.) BLACK COLOR</p>	DESCRIPTION 2 DRUM CONTAINMENT TANK	
<p>POLYETHYLENE</p>					SHIPPING WEIGHT: 70.00 LBS		SCALE N.S.	PART NO. TOP55GAL-PE-2DC
<p>±1% @ 68° F</p>					FINISH:			
<p>METAL DECIMAL ± .125" FRACTION ± 1/4" ANGLE ± 1°</p>			<p>THIRD ANGLE PROJECTION ANSI 14.5M</p>					