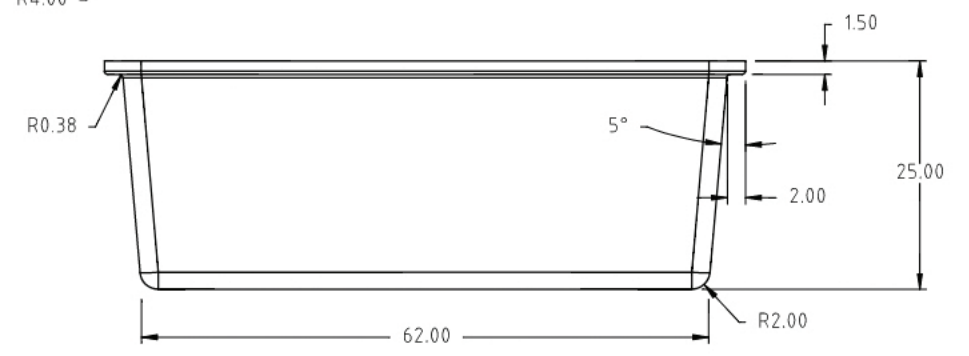
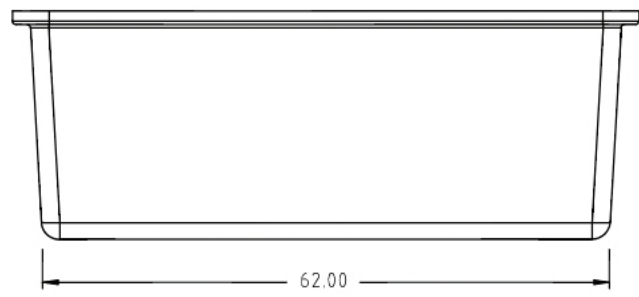
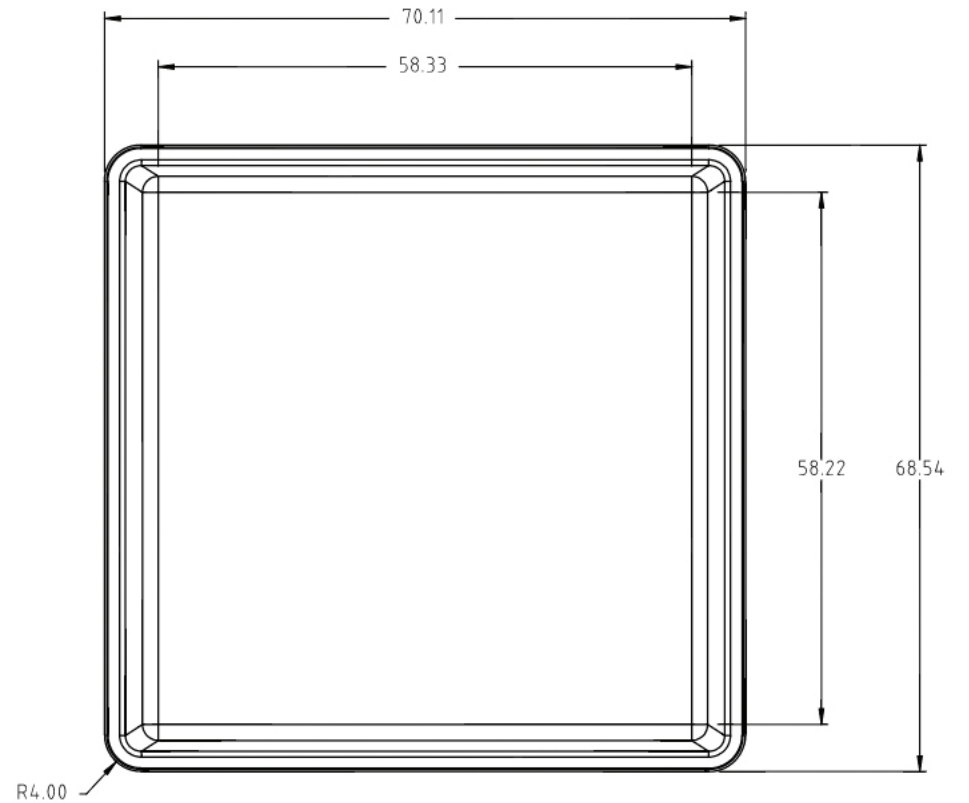
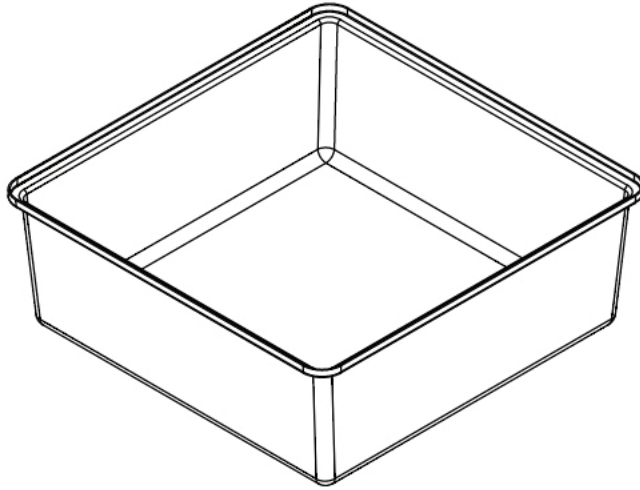


← GO BACK



				DRAWN / DATE ADH 2/6/12	MATERIAL  10420 NATURAL	<p style="text-align: center;"><b>CSI</b> ChemIndustrial Systems, Inc. PO Box 500, Cedarburg, WI 53012 262-375-8570 • (Fax) 262-375-8559 • info@chemindustrial.com</p>	
				APPRD. / DATE REH 2/6/12			
REV	DESCRIPTION	BY / DATE	CCN				
ALL DIMENSIONS ARE IN DECIMAL INCHES TOLERANCES UNLESS OTHERWISE SPECIFIED		THIRD ANGLE PROJECTION ANSI 14.5M		SHOT WEIGHT: 190 LB.	NOTES: 1.) NOM. WALL 0.250"	DESCRIPTION 425 GALLON CONTAINMENT TANK	
POLYETHYLENE	METAL DECIMAL ± .125" FRACTION ± 1/4" ANGLE ± 1°			SHIPPING WEIGHT: 94 LB.		SCALE N.S.	PART NO. <b>TOP425GAL-PE-RT</b>
±1% @ 68° F				FINISH:			