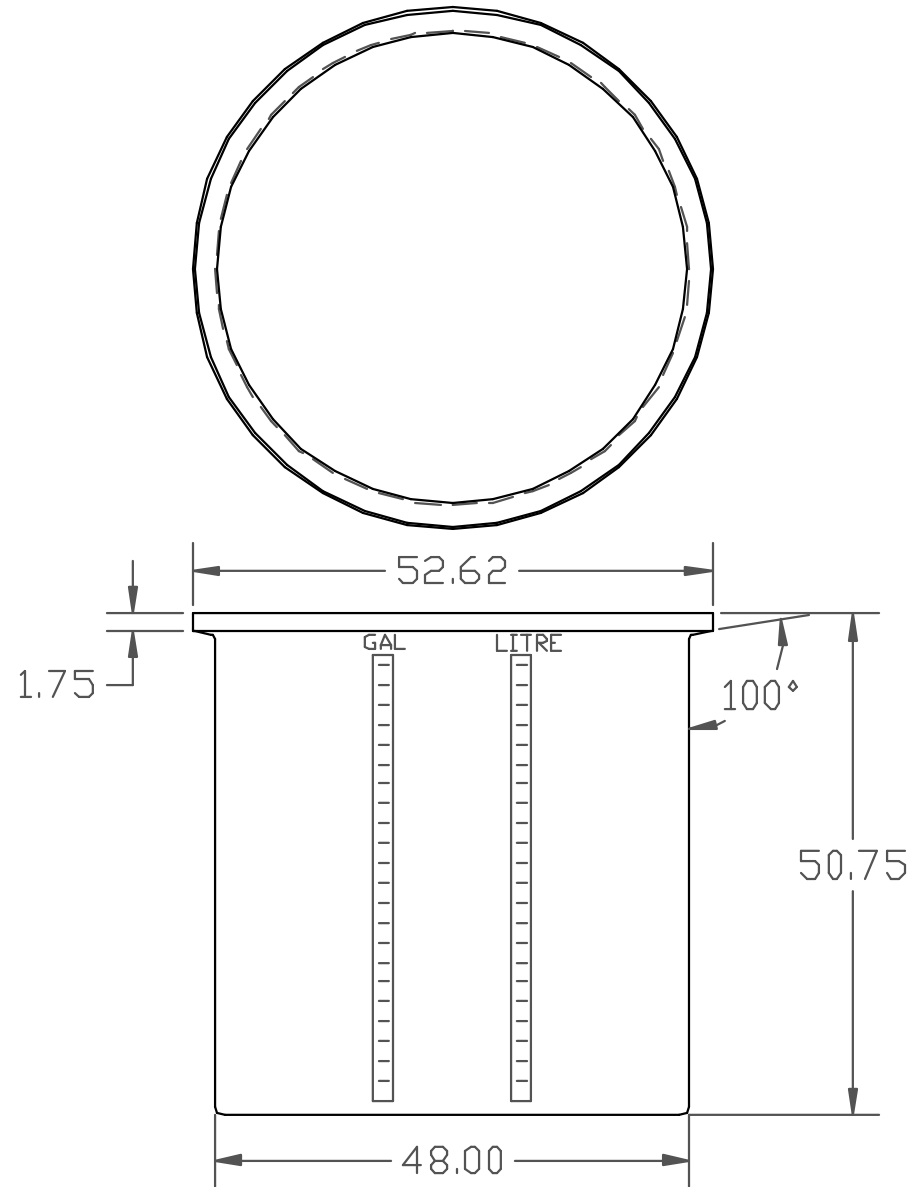


← GO BACK

TOP360GAL-PE-48DIA



		DRAWN / DATE DHJ/6/2/03		MATERIAL	
		APPRO. / DATE xxxxxxx		HDPE OR EQUIVALENT REFERENCE MATERIAL DATA SHEET FOR SPECIFIC PROPERTIES.	
REV	DESCRIPTION	DATE	APPRO	NOTES:	
A	TOP LID WAS 1" NOW 1.75"	1/31/05		1. .25 NOM. WALL 2. SHOT WEIGHT 84 LBS.	
ALL DIMENSIONS ARE IN DECIMAL INCHES TOLERANCES UNLESS OTHERWISE SPECIFIED ± .1% @ 68° F				THIRD ANGLE PROJECTION ANSI 14.5M 	

CSI
ChemIndustrial Systems, Inc.
PO Box 500, Cedarburg, WI 53012
262-375-8570 • (Fax) 262-375-8559 • info@chemindustrial.com

SCALE N.S.	PART NO. TOP360GAL-PE-48DIA
---------------	--------------------------------