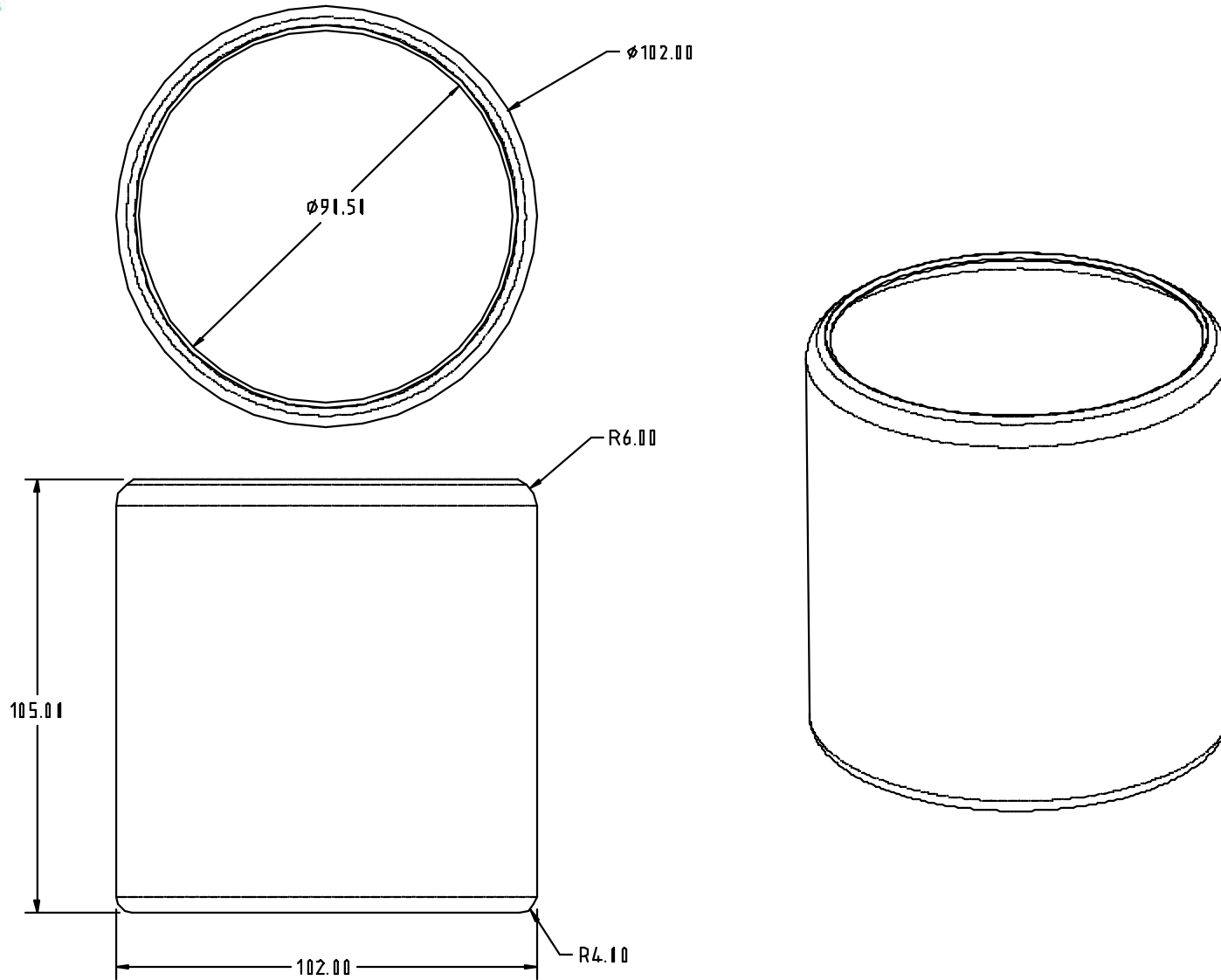


← GO BACK

TOP3300GAL-PE-102DIA



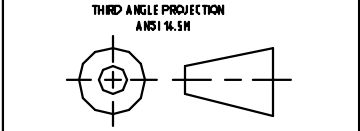
REV	DESCRIPTION	DATE	APPRD

DRAWN / DATE REH/12/29/13
APPRD. / DATE REH/12/29/13

866 X 550 LB.

CSI
 ChemIndustrial Systems, Inc.
 PO Box 500, Cedarburg, WI 53012
 262-375-8570 • (Fax) 262-375-8559 • info@chemindustrial.com

ALL DIMENSIONS ARE IN DECIMAL INCHES
 TOLERANCES UNLESS OTHERWISE SPECIFIED
 ± .5% @ 68° F



SCALE
 N.S.

PART NO.
 TOP3300GAL-PE-102DIA