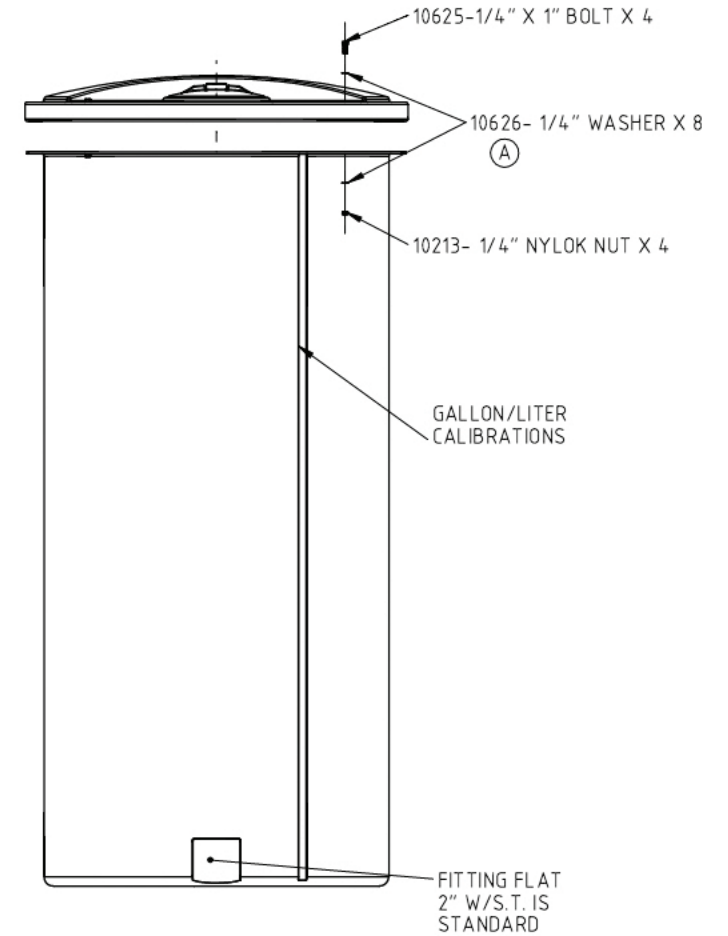
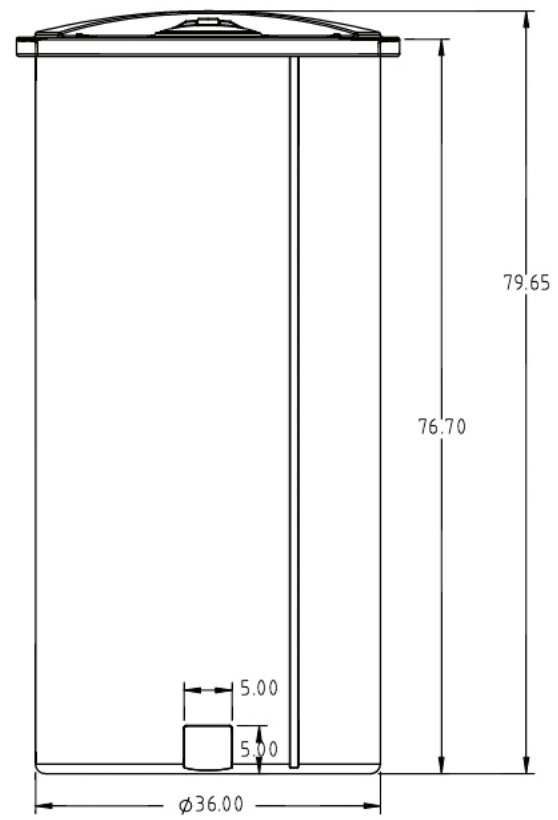
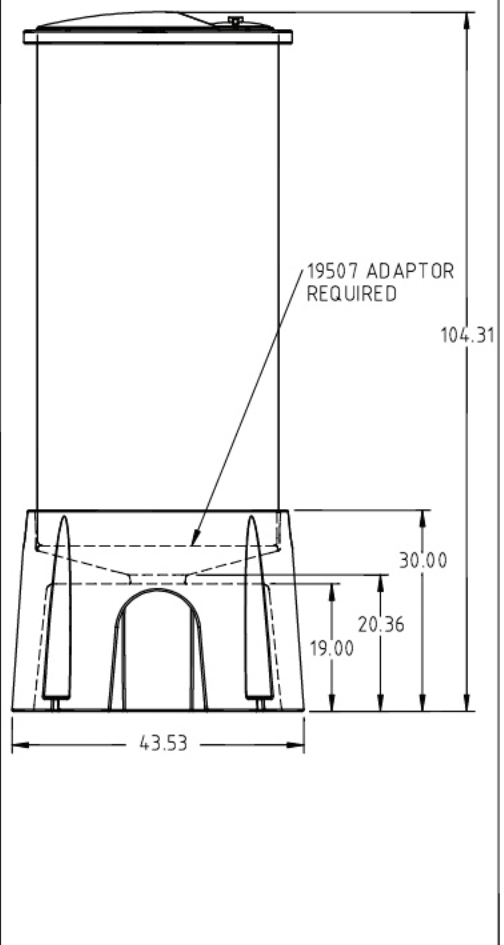
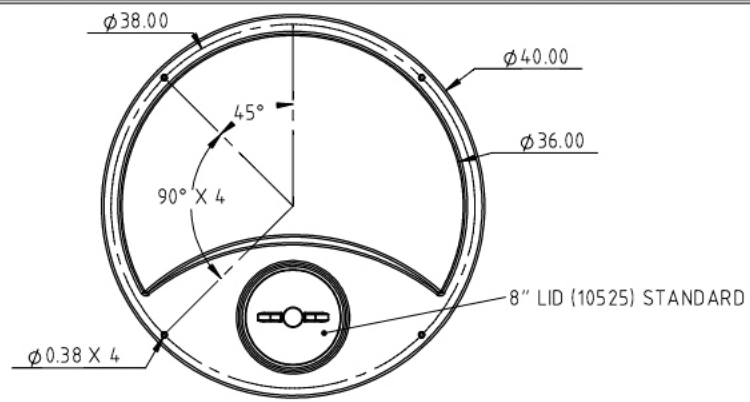


← GO BACK



				DRAWN / DATE ADH 2/21/11	MATERIAL 10420
A	10626 WAS SJ10067	ADH 10/26/11	2311	APPRD. / DATE REH 4/18/11	
REV	DESCRIPTION	BY / DATE	CCN		
ALL DIMENSIONS ARE IN DECIMAL INCHES TOLERANCES UNLESS OTHERWISE SPECIFIED				SHOT WEIGHT: 90.00 LBS	NOTES:
THIRD ANGLE PROJECTION ANSI 14.5M				SHIPPING WEIGHT: 92.00 LBS	1.) 0.22 WALL THICKNESS
POLYETHYLENE ±1% @ 68°F				FINISH:	
METAL DECIMAL ± .125" FRACTION ± 1/4" ANGLE ± 1°					

CSI
ChemIndustrial Systems, Inc.
PO Box 500, Cedarburg, WI 53012
262-375-8570 • (Fax) 262-375-8559 • info@chemindustrial.com

DESCRIPTION 36" DIA. X 325 GALLON VERTICAL TANK- OPEN TOP

SCALE N.S. PART NO. **TOP325GAL-PE-36DIA**