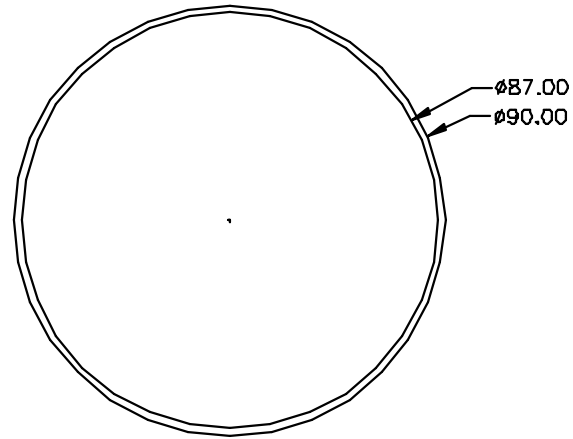
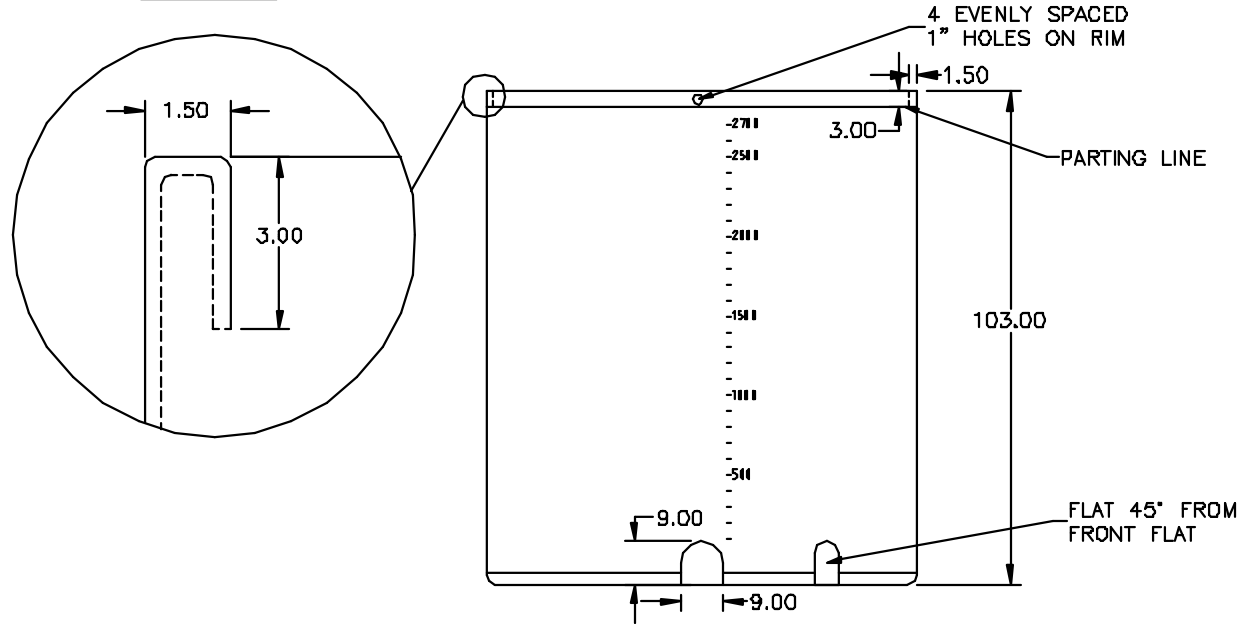


← GO BACK

TOP2700GAL-PE-90DIA



DETAIL OF RIM



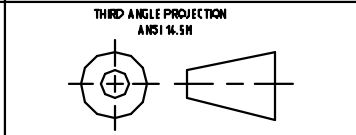
| REV | DESCRIPTION | DATE | APPRD |
|-----|-------------|------|-------|
|     |             |      |       |
|     |             |      |       |
|     |             |      |       |

|                              |
|------------------------------|
| DRAWN / DATE<br>NVE 6/13/15  |
| APPRD. / DATE<br>DHJ 6/22/15 |

|   |
|---|
| MATERIAL<br>HDPE OR EQUIVALENT<br>REFERENCE MATERIAL DATA SHEET<br>FOR SPECIFIC PROPERTIES. |
|---|

**CSI**  
Chemindustrial Systems, Inc.  
PO Box 500, Cedarburg, WI 53012  
262-375-8570 • (Fax) 262-375-8559 • info@chemindustrial.com

ALL DIMENSIONS ARE IN DECIMAL INCHES  
TOLERANCES UNLESS OTHERWISE SPECIFIED  
 $\pm 1\%$  @ 68° F



- NOTES:
1. .490 WALL THICKNESS AT FLAT
  2. WHITE OR COLDR
  3. SHOT WEIGHT 481 LBS.

SCALE  
N.S.

PART NO.  
TOP2700GAL-PE-90DIA