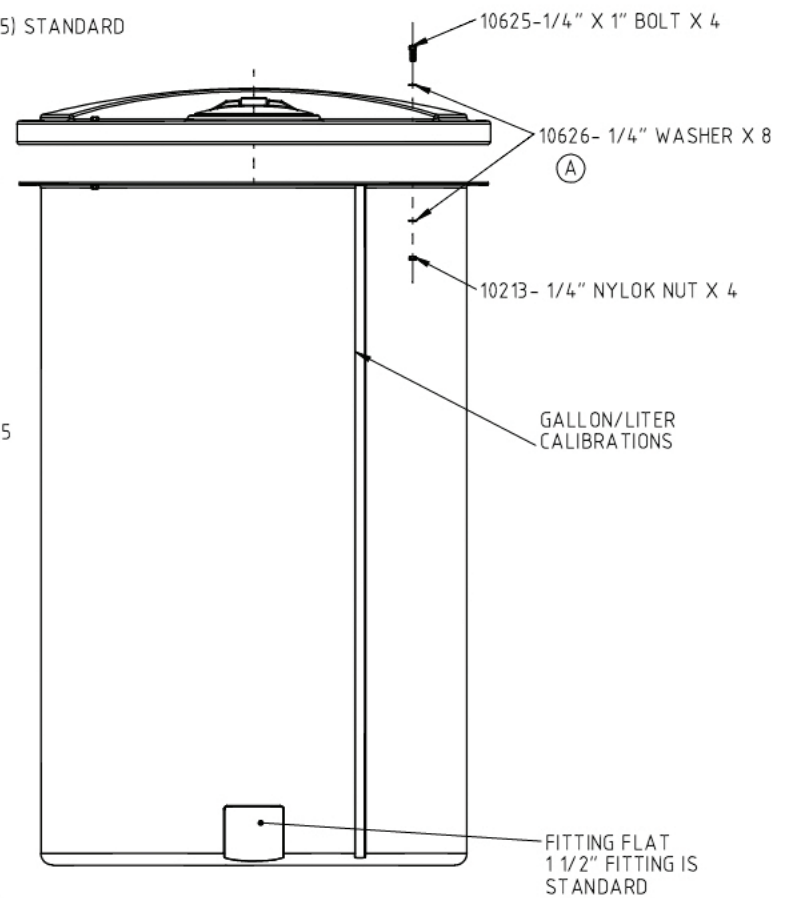
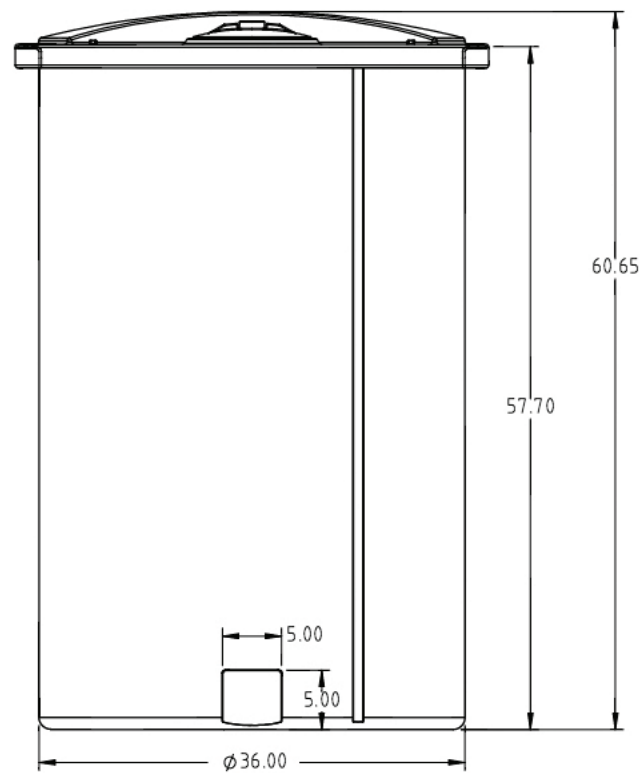
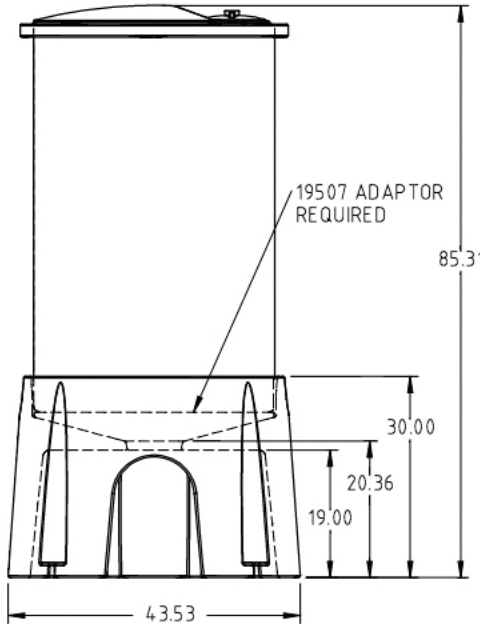
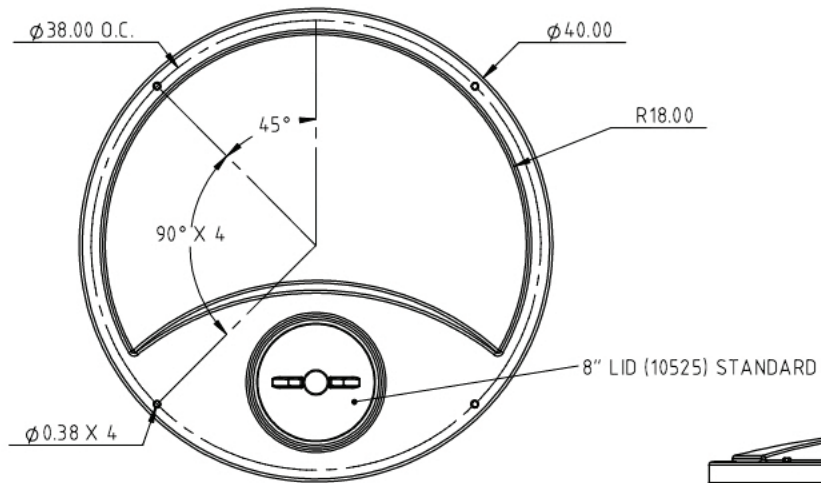


← GO BACK



REV	DESCRIPTION	BY / DATE	CCN
A	10626 WAS SJ10067	ADH 10/26/11	2311
ALL DIMENSIONS ARE IN DECIMAL INCHES TOLERANCES UNLESS OTHERWISE SPECIFIED		THIRD ANGLE PROJECTION ANSI 14.5M	
POLYETHYLENE ±1% @ 68°F		METAL DECIMAL ± .125" FRACTION ± 1/4" ANGLE ± 1°	

DRAWN / DATE ADH 2/18/11	MATERIAL 10420
APPRD. / DATE REH 4/18/11	NOTES: 1.) 0.22 WALL THICKNESS
SHOT WEIGHT: 74.00 LBS	
SHIPPING WEIGHT: 76.00 LBS	
FINISH:	

**CSI**  
ChemIndustrial Systems, Inc.  
PO Box 500, Cedarburg, WI 53012  
262-375-8570 • (Fax) 262-375-8559 • info@chemindustrial.com

DESCRIPTION	36" DIA. X 250 GALLON VERTICAL TANK- OPEN TOP	
SCALE	N.S.	PART NO. <b>TOP250GAL-PE-36DIA</b>