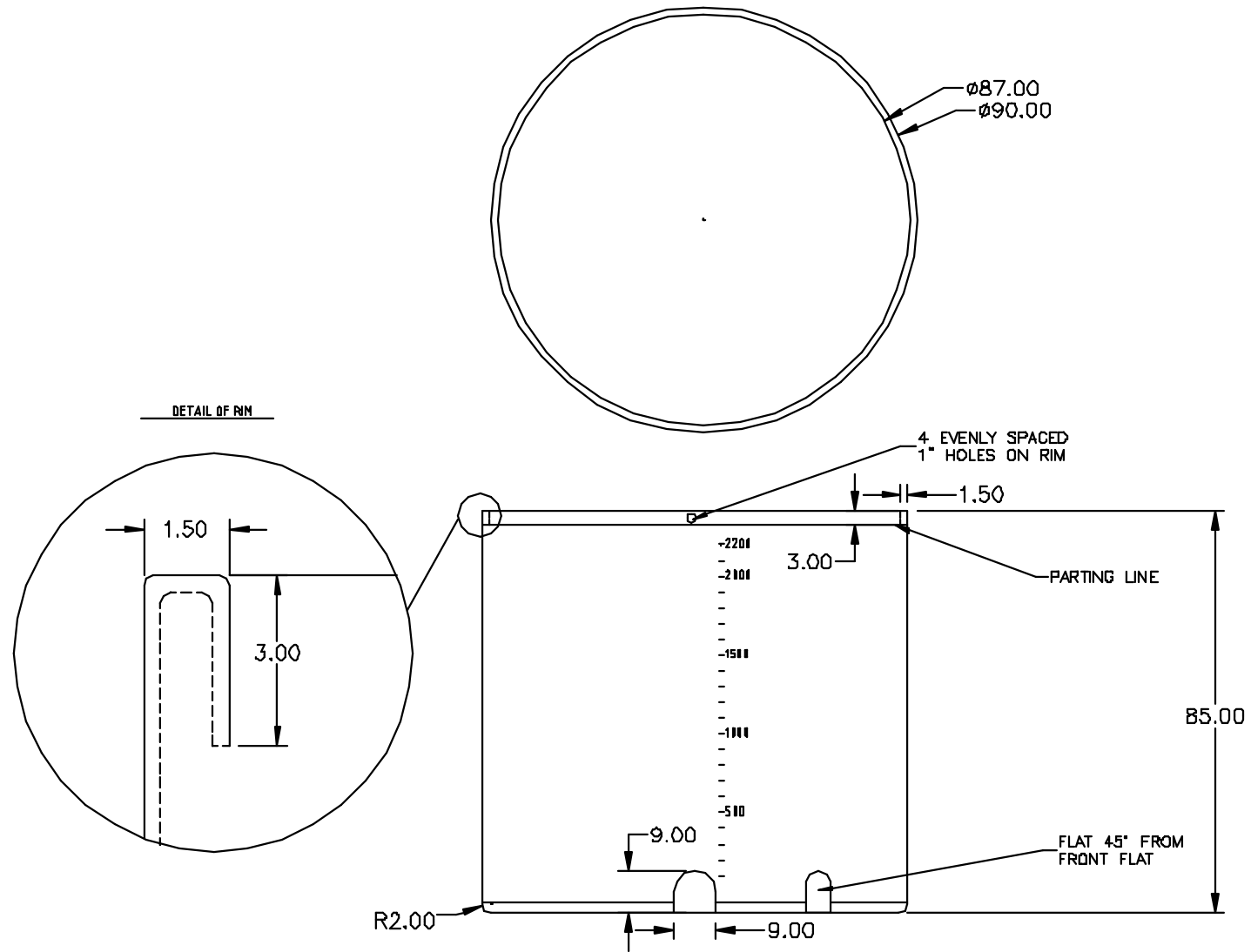


← GO BACK

TOP2200GAL-PE-90DIA



REV	DESCRIPTION	DATE	APPRD

DRAWN / DATE
NVE 6/13/15

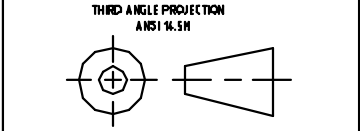
APPRD. / DATE
DHJ 6/22/15

MATERIAL
HDPE OR EQUIVALENT
REFERENCE MATERIAL DATA SHEET
FOR SPECIFIC PROPERTIES.

CSI
ChemIndustrial Systems, Inc.
PO Box 500, Cedarburg, WI 53012
262-375-8570 • (Fax) 262-375-8559 • info@chemindustrial.com

SCALE: N.S. PART NO.: TOP2200GAL-PE-90DIA

ALL DIMENSIONS ARE IN DECIMAL INCHES
TOLERANCES UNLESS OTHERWISE SPECIFIED
± 1% @ 68° F



NOTES:
1. 1.410 THICK AT FLAT
2. WHITE OR COLOR
3. SHOT WEIGHT 365 LBS.