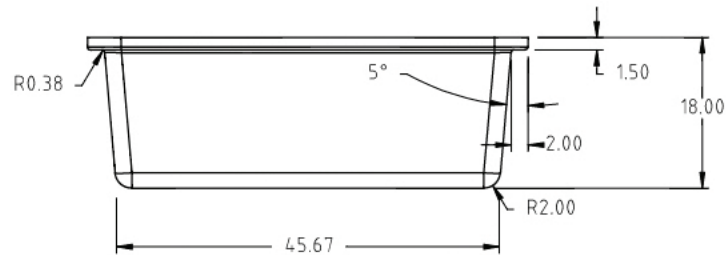
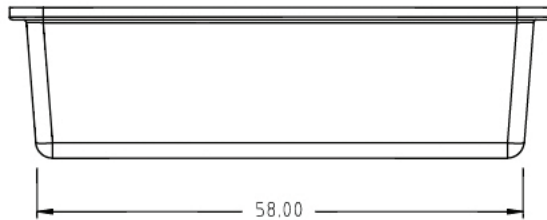
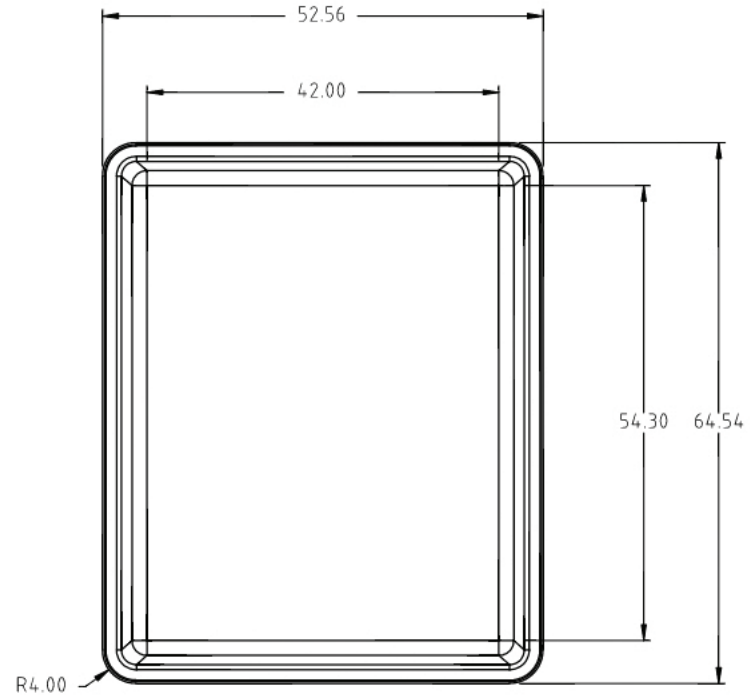
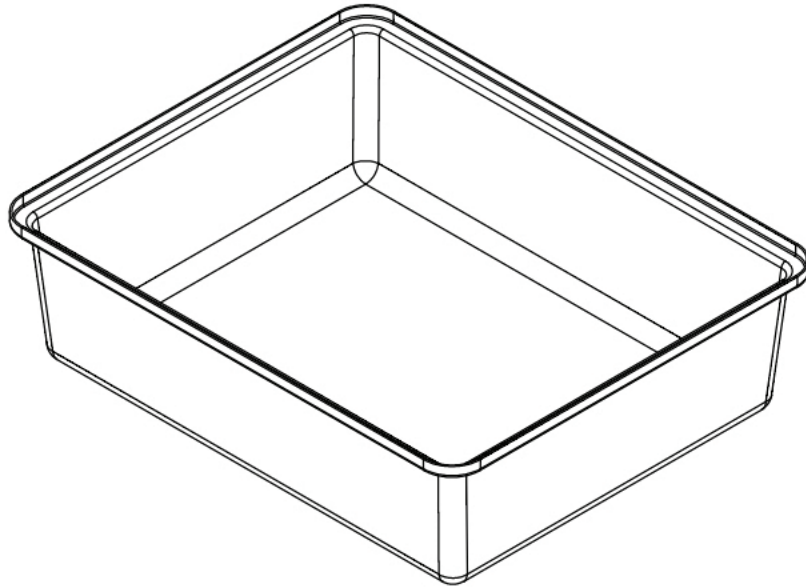


← GO BACK



				DRAWN / DATE ADH 2/6/12	MATERIAL 10420 NATURAL
				APPRD. / DATE REH 2/6/12	
REV	DESCRIPTION	BY / DATE	CCN		
ALL DIMENSIONS ARE IN DECIMAL INCHES TOLERANCES UNLESS OTHERWISE SPECIFIED				SHOT WEIGHT: 105 LB.	NOTES: 1.) NOM. WALL 0.220"
POLYETHYLENE		METAL DECIMAL ± .125" FRACTION ± 1/4" ANGLE ± 1°		SHIPPING WEIGHT: 52 LB.	
±1% @ 68° F				FINISH:	



**ChemIndustrial Systems, Inc.**  
 PO Box 500, Cedarburg, WI 53012  
 262-375-8570 • (Fax) 262-375-8559 • info@chemindustrial.com

DESCRIPTION		210 GALLON CONTAINMENT TANK	
SCALE	N.S.	PART NO.	<b>TOP210GAL-PE-RT</b>