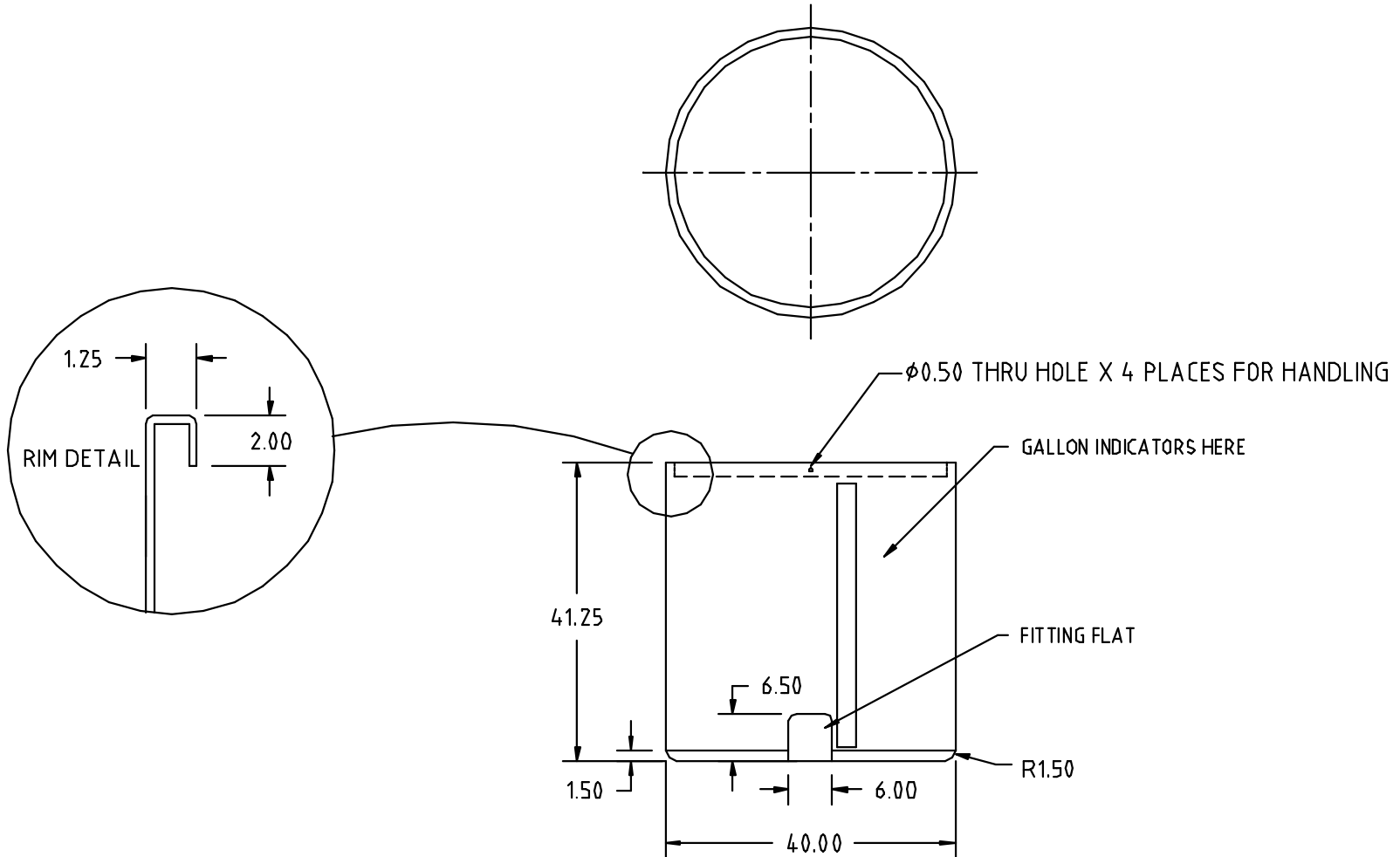


← GO BACK

TOP210GAL-PE-40DIA



REV	DESCRIPTION	DATE	APPRD

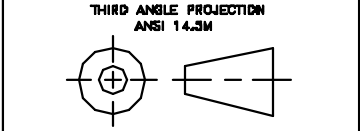
DRAWN / DATE
REH/05/6/02

APPRD. / DATE
REH/05/6/02

MOBIL 134 = 48 LB.

CSI
ChemIndustrial Systems, Inc.
PO Box 500, Cedarburg, WI 53012
262-375-8570 • (Fax) 262-375-8559 • info@chemindustrial.com

ALL DIMENSIONS ARE IN DECIMAL INCHES
TOLERANCES UNLESS OTHERWISE SPECIFIED
± 1% @ 68° F



SCALE
N.S.

PART NO.
TOP210GAL-PE-40DIA