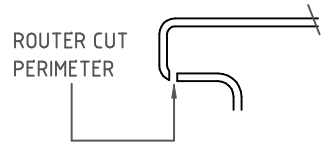


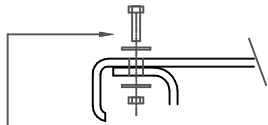
← GO BACK

TOP2060GAL-PE-86DIA

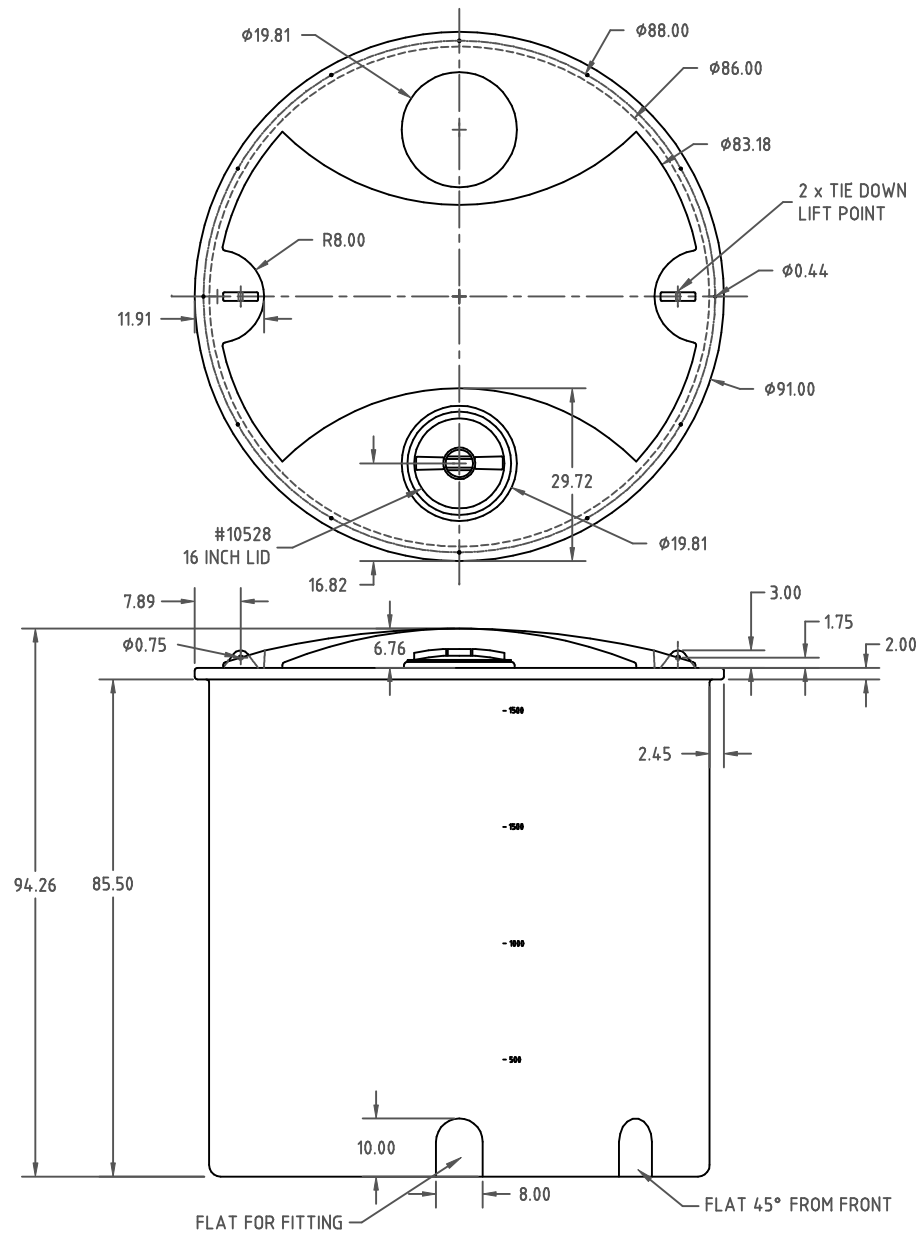
LID TRIM AND FASTENING DETAIL



ROUTER CUT PERIMETER



3/8" X 1-1/2" HEX BOLT, 3/8" FLATWASHERS AND HEX NUT 12 PLACES



REV	DESCRIPTION	BY / DATE	CCN
ALL DIMENSIONS ARE IN DECIMAL INCHES TOLERANCES UNLESS OTHERWISE SPECIFIED		THIRD ANGLE PROJECTION ANSI 14.5M	
POLYETHYLENE			
METAL DECIMAL ± .125" FRACTION ± 1/4" ANGLE ± 1°			

DRAWN / DATE DHJ 4/29/11	MATERIAL 10420
APPRD. / DATE REH 5/10/11	
SHOT WEIGHT: 400 LBS.	NOTES: 1. 370 THICK AT FITTING
SHIPPING WEIGHT: 402 LBS.	
FINISH:	

<p>ChemIndustrial Systems, Inc. PO Box 500, Cedarburg, WI 53012 262-375-8570 • (Fax) 262-375-8559 • info@chemindustrial.com</p>	
DESCRIPTION	2060 GALLON OPEN TOP TANK
SCALE	N.S.
PART NO.	TOP2060GAL-PE-86DIA