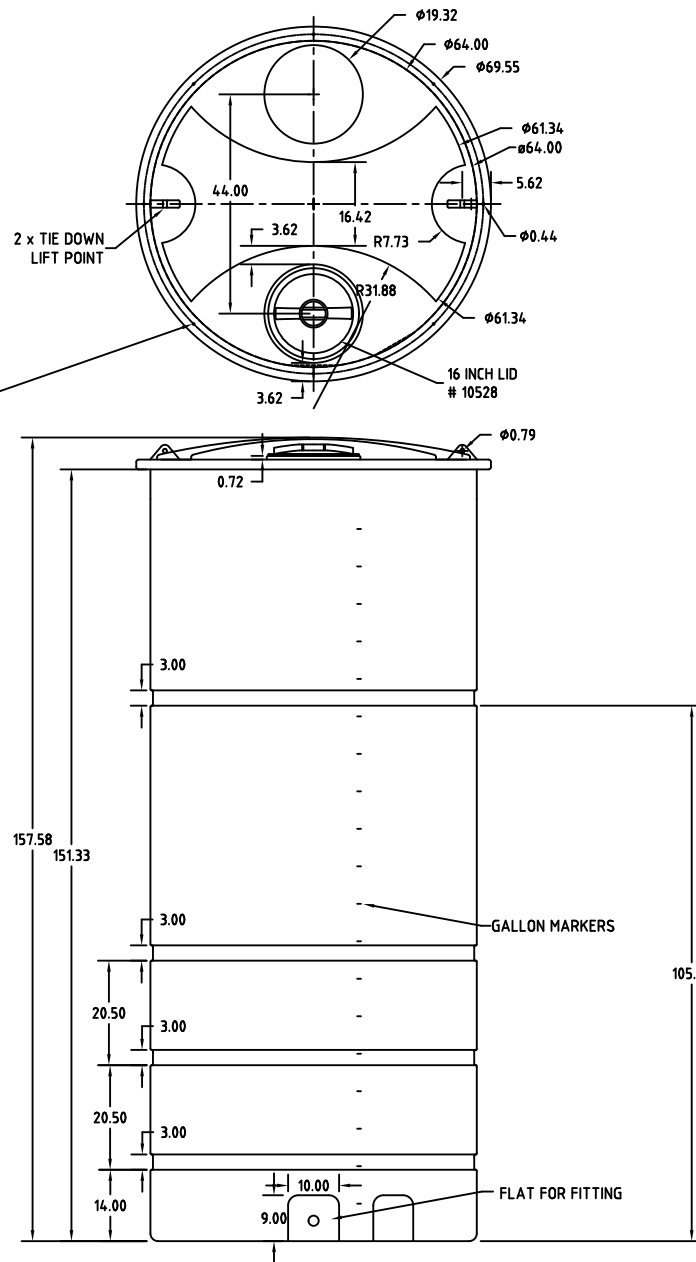
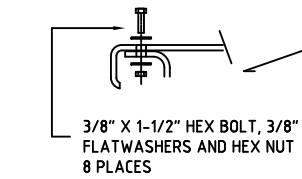
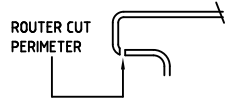


LID TRIM AND FASTENING DETAIL



REV	DESCRIPTION	BY / DATE	CCN
ALL DIMENSIONS ARE IN DECIMAL INCHES TOLERANCES UNLESS OTHERWISE SPECIFIED			
POLYETHYLENE		METAL	
±1% @ 68° F		DECIMAL ± .125" FRACTION ± 1/4" ANGLE ± 1°	

DRAWN / DATE	DHJ 2/2/12
APPRD. / DATE	REH 3/6/12
SHOT WEIGHT:	463 LBS.
SHIPPING WEIGHT:	465 LBS.
FINISH:	

MATERIAL	10420
NOTES:	1. .49 WALL



ChemIndustrial Systems, Inc.
 PO Box 500, Cedarburg, WI 53012
 262-375-8570 • (Fax) 262-375-8559 • info@chemindustrial.com

DESCRIPTION	2010 GALLON OPEN TOP WITH BOLT ON TOP	
SCALE	N.S.	PART NO. TOP2010GAL-PE-64DIA

