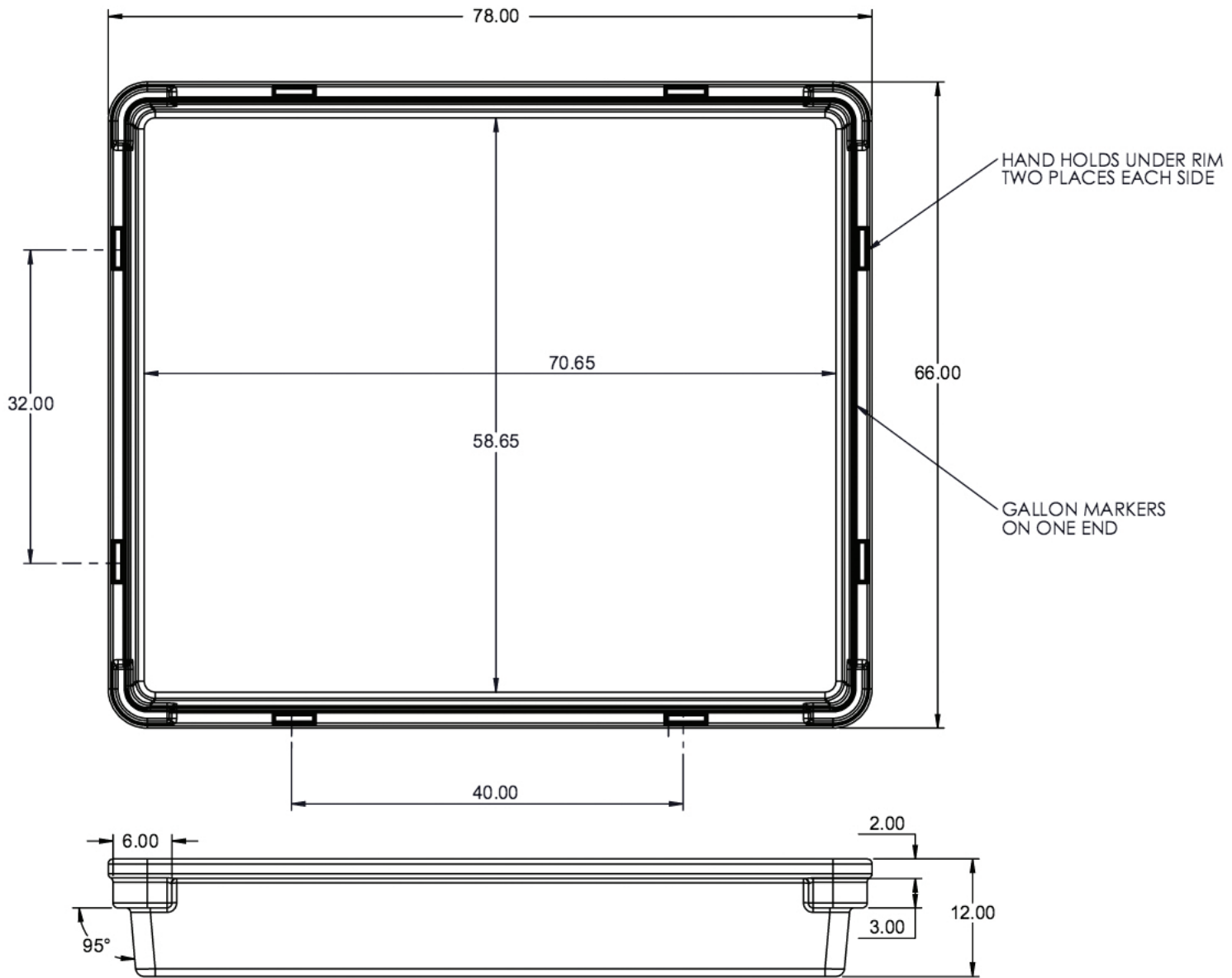


← GO BACK



REV	DESCRIPTION	BY / DATE	CCN	DRAWN / DATE ADH 5/22/09	MATERIAL 10538 2 MELT RESIN
				APPRD. / DATE REH 5/26/09	
ALL DIMENSIONS ARE IN DECIMAL INCHES TOLERANCES UNLESS OTHERWISE SPECIFIED		THIRD ANGLE PROJECTION ANSI W. 5M		SHOT WEIGHT: 85 LB.	NOTES: 1.) .25 NOMINAL WALL 2.) NATURAL COLOR
POLYETHYLENE ±1% @ 68° F		METAL DECIMAL ± .125" FRACTION ± 1/4" ANGLE ± 1°		SHIPPING WEIGHT: 78 LB.	
				FINISH:	



**ChemIndustrial Systems, Inc.**  
 PO Box 500, Cedarburg, WI 53012  
 262-375-8570 • (Fax) 262-375-8559 • info@chemindustrial.com

DESCRIPTION	200 GALLON CONTAINMENT TANK	
SCALE	N.S.	PART NO. <b>TOP200GAL-PE-RT</b>