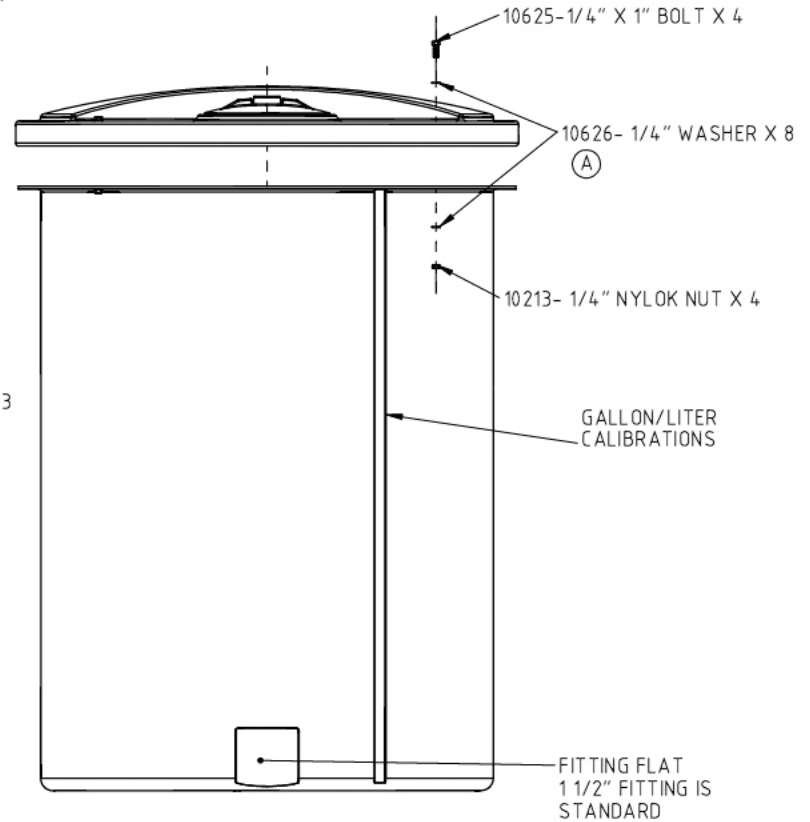
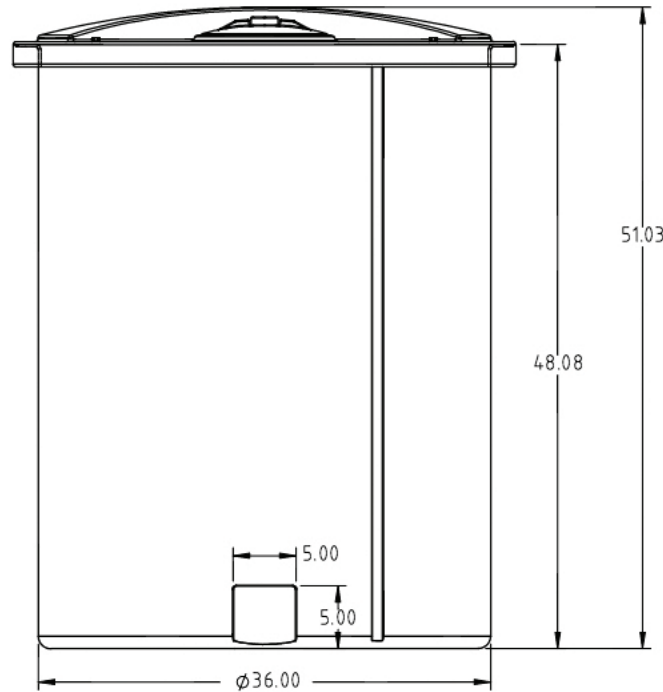
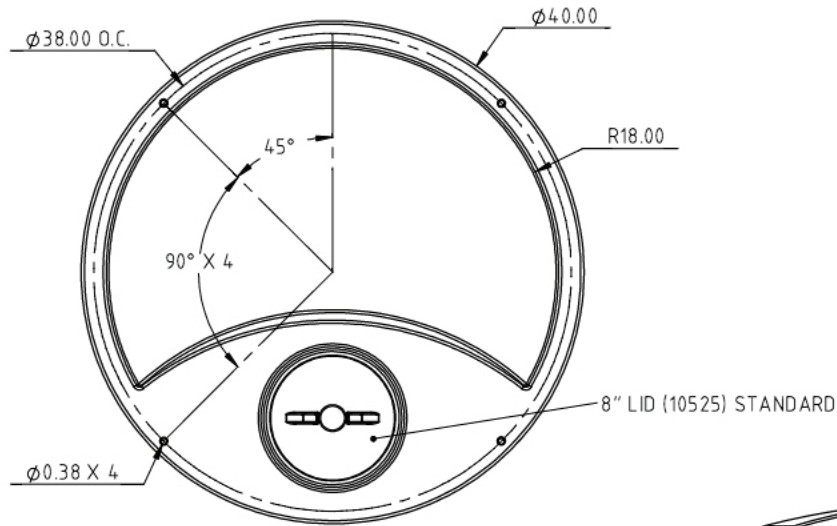
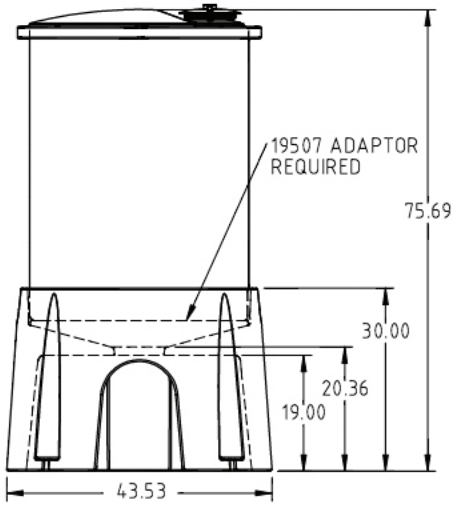


← GO BACK



				DRAWN / DATE ADH 2/18/11	MATERIAL 10420
A	10626 WAS SJ10067	ADH 10/26/11	2311	APPRD. / DATE REH 4/18/11	
REV	DESCRIPTION	BY / DATE	CCN		
ALL DIMENSIONS ARE IN DECIMAL INCHES TOLERANCES UNLESS OTHERWISE SPECIFIED				SHOT WEIGHT: 56.00 LBS	NOTES: 1.) 0.20 WALL THICKNESS
THIRD ANGLE PROJECTION ANSI 14.5M				SHIPPING WEIGHT: 58.00 LBS	
				FINISH:	
POLYETHYLENE ±1% @ 68° F		METAL DECIMAL ± .125" FRACTION ± 1/4" ANGLE ± 1°			

CSI
ChemIndustrial Systems, Inc.
PO Box 500, Cedarburg, WI 53012
262-375-8570 • (Fax) 262-375-8559 • info@chemindustrial.com

DESCRIPTION: 36" DIA. X 200 GALLON VERTICAL TANK- OPEN TOP

SCALE: N.S. PART NO. **TOP200GAL-PE-36DIA**