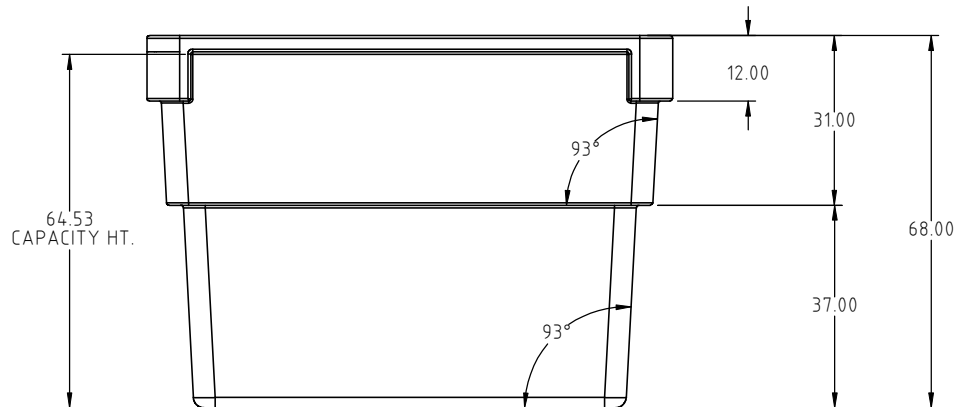
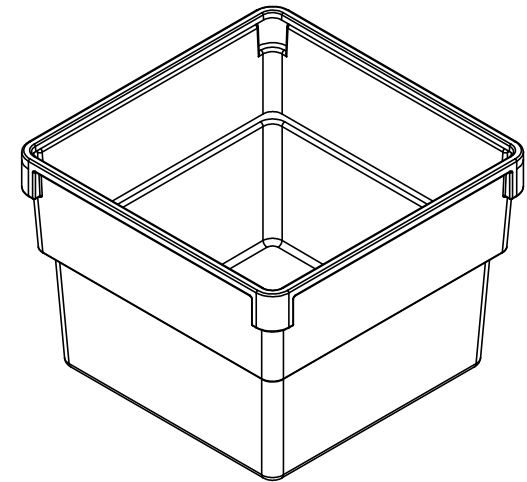
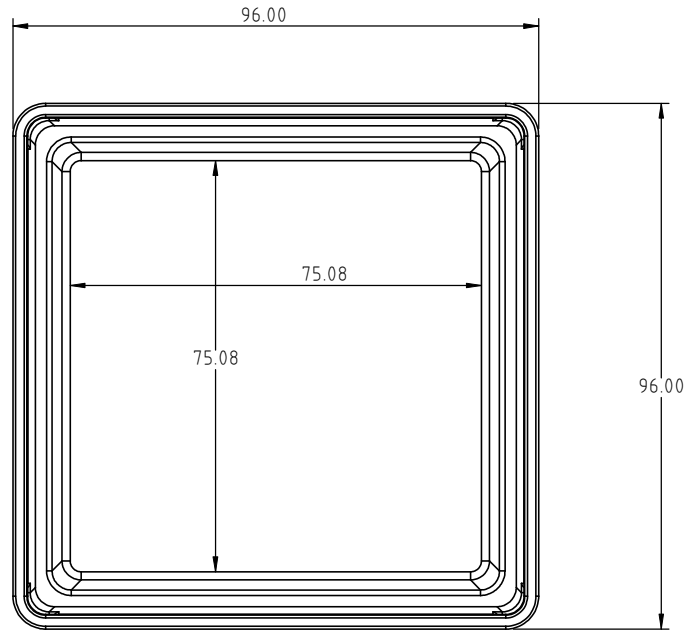

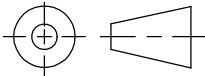


← GO BACK

TOP2000GAL-PE-RT



STACK 3 HIGH UPSIDE DOWN FOR STORAGE

				DRAWN / DATE REH //6/15/10	MATERIAL 10538 POWDER	 ChemIndustrial Systems, Inc. PO Box 500, Cedarburg, WI 53012 262-375-8570 • (Fax) 262-375-8559 • info@chemindustrial.com	
				APPRD. / DATE DHJ 12/16/10			
REV	DESCRIPTION	BY / DATE	CCN	SHOT WEIGHT: 632 LBS.	NOTES: 1. NATURAL COLOR STD. 2. NOMINAL WALL = .500	DESCRIPTION 2000 GALLON CONTAINMENT TANK	
ALL DIMENSIONS ARE IN DECIMAL INCHES TOLERANCES UNLESS OTHERWISE SPECIFIED POLYETHYLENE ±1% @ 68°F		THIRD ANGLE PROJECTION ANSI 14.5M 		SHIPPING WEIGHT: 570 LBS.		SCALE N.S.	PART NO. TOP2000GAL-PE-RT
				FINISH: BEAD BLAST			