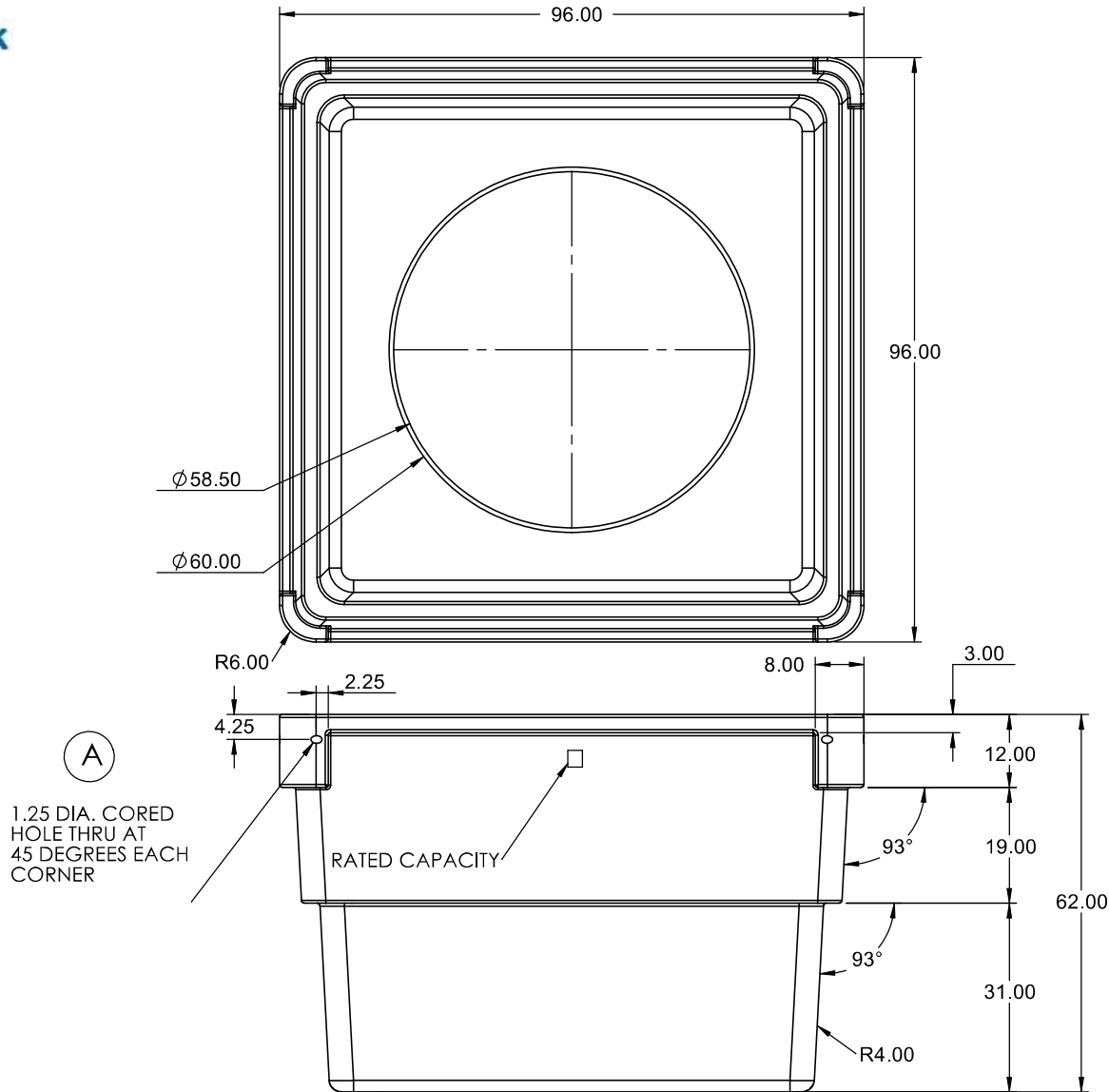


← GO BACK

TOP1825GAL-PE-RT



STACK 3 HIGH UPSIDE DOWN FOR STORAGE

				DRAWN / DATE ADH 6/25/08	MATERIAL 10538 POWDER
A	ADDED CORNER HOLE	REH 1/5/09	1775	APPRD. / DATE REH 7/1/08	
REV	DESCRIPTION	BY / DATE	CCN		
ALL DIMENSIONS ARE IN DECIMAL INCHES TOLERANCES UNLESS OTHERWISE SPECIFIED				SHOT WEIGHT: 540 LB.	NOTES: 1. NATURAL COLOR STD. 2. .500 WALL THICKNESS
POLYETHYLENE ±1% @ 68° F		METAL DECIMAL ± .125" FRACTION ± 1/4" ANGLE ± 1°		SHIPPING WEIGHT: 520 LB.	
		ANSI 14.5M		FINISH: BEAD BLAST	

CSI
ChemIndustrial Systems, Inc.
PO Box 500, Cedarburg, WI 53012
262-375-8570 • (Fax) 262-375-8559 • info@chemindustrial.com

DESCRIPTION	1825 GALLON CONTAINMENT TANK	
SCALE	N.S.	PART NO. TOP1825GAL-PE-RT