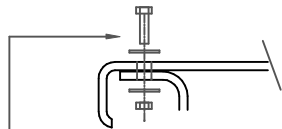
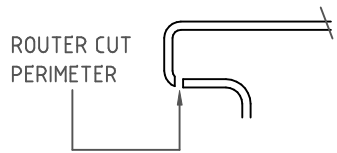


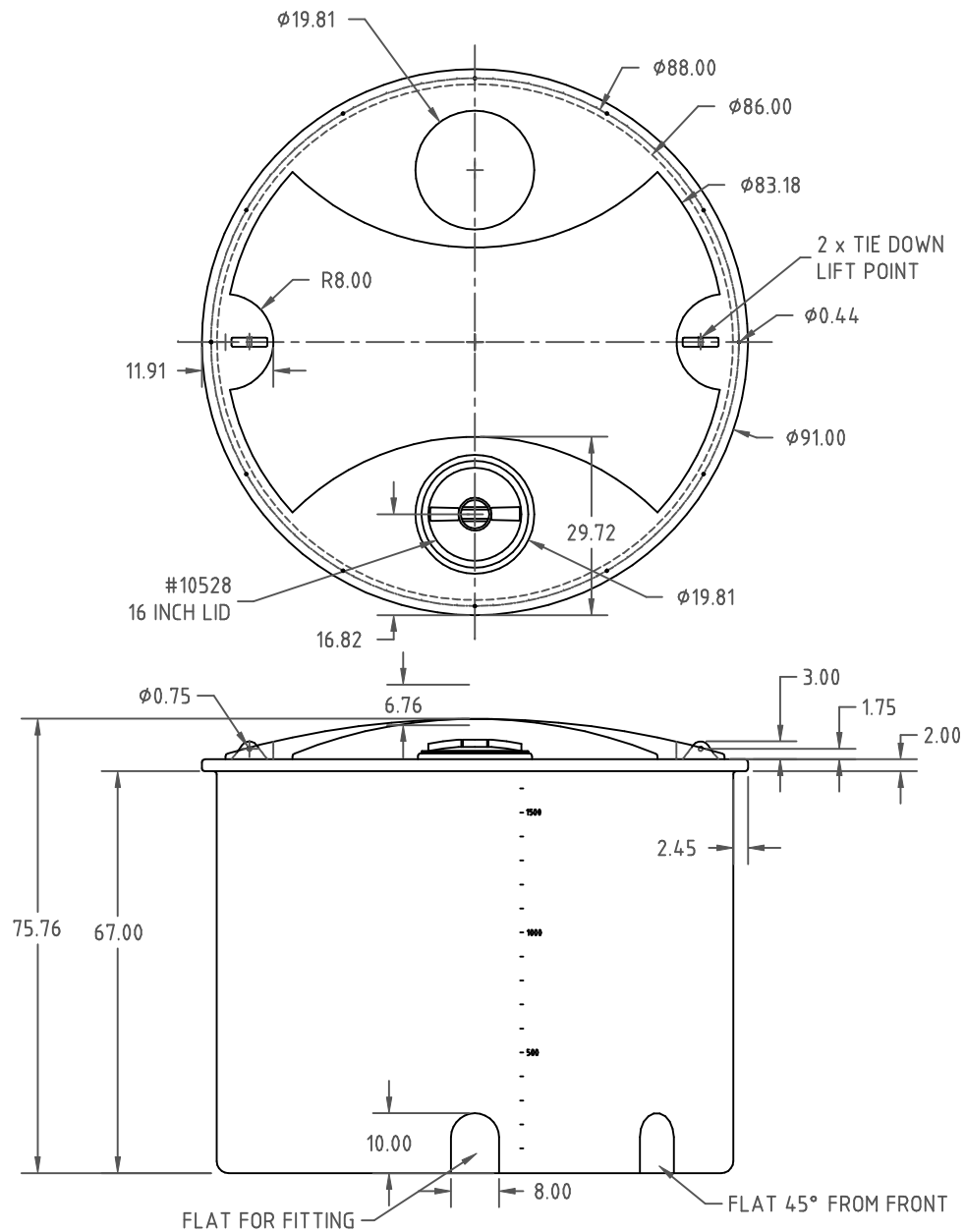
**← GO BACK**

**TOP1660GAL-PE-86DIA**

**LID TRIM AND FASTENING DETAIL**



3/8" X 1-1/2" HEX BOLT, 3/8" FLATWASHERS AND HEX NUT 12 PLACES



REV	DESCRIPTION	BY / DATE	CCN

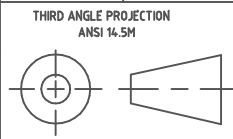
DRAWN / DATE	MATERIAL
DHJ 4/29/11	10420
APPRD. / DATE	
REH 5/10/11	

**CSI**  
ChemIndustrial Systems, Inc.  
PO Box 500, Cedarburg, WI 53012  
262-375-8570 • (Fax) 262-375-8559 • info@chemindustrial.com

ALL DIMENSIONS ARE IN DECIMAL INCHES  
TOLERANCES UNLESS OTHERWISE SPECIFIED

**POLYETHYLENE**

**METAL**  
DECIMAL ± .125"  
FRACTION ± 1/4"  
ANGLE ± 1°



SHOT WEIGHT:	NOTES:
278 LBS.	1. .290 THICK AT FITTING
SHIPPING WEIGHT:	
280 LBS.	
FINISH:	

DESCRIPTION	1660 GALLON OPEN TOP TANK
SCALE	N.S.
PART NO.	<b>TOP1660GAL-PE-86DIA</b>