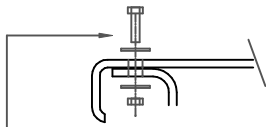
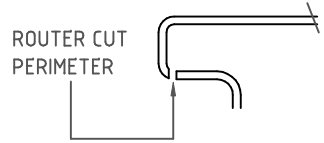


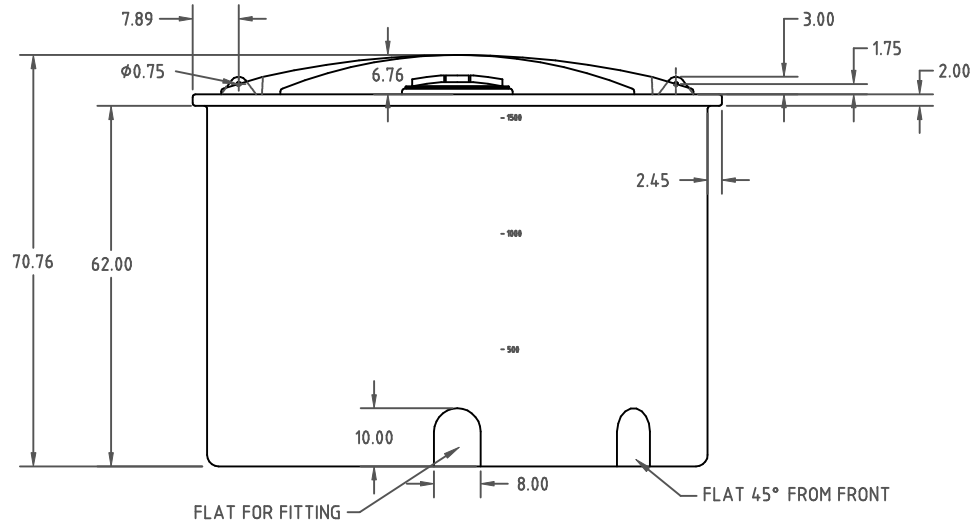
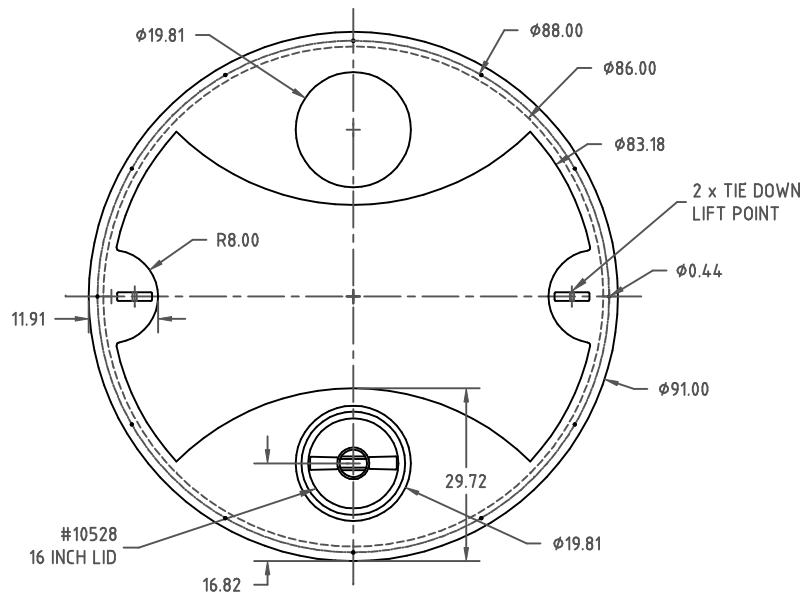
← GO BACK

TOP1510GAL-PE-86DIA

LID TRIM AND FASTENING DETAIL



3/8" X 1-1/2" HEX BOLT, 3/8" FLATWASHERS AND HEX NUT 12 PLACES



| | | | |
|-----|-------------|-----------|-----|
| REV | DESCRIPTION | BY / DATE | CCN |
| | | | |

| | |
|---------------|----------|
| DRAWN / DATE | MATERIAL |
| DHJ 4/29/11 | 10420 |
| APPRD. / DATE | |
| REH 5/10/11 | |

| | |
|------------------|--------------------------|
| SHOT WEIGHT: | NOTES: |
| 250 LBS. | 1. .270 THICK AT FITTING |
| SHIPPING WEIGHT: | |
| 252 LBS. | |
| FINISH: | |

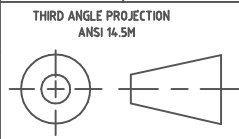


ChemIndustrial Systems, Inc.
 PO Box 500, Cedarburg, WI 53012
 262-375-8570 • (Fax) 262-375-8559 • info@chemindustrial.com

ALL DIMENSIONS ARE IN DECIMAL INCHES TOLERANCES UNLESS OTHERWISE SPECIFIED

POLYETHYLENE

METAL
 DECIMAL $\pm .125"$
 FRACTION $\pm 1/4"$
 ANGLE $\pm 1^\circ$



| | |
|-------------|----------------------------|
| DESCRIPTION | 1510 GALLON OPEN TOP TANK |
| SCALE | N.S. |
| PART NO. | TOP1510GAL-PE-86DIA |