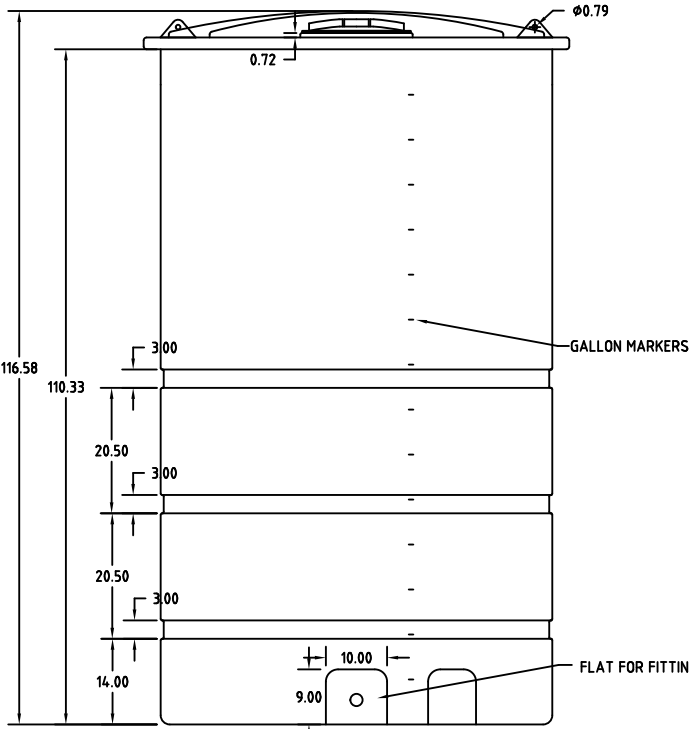
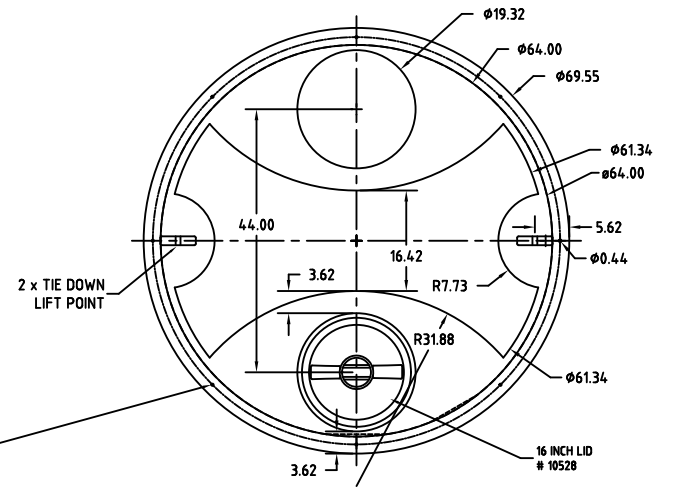
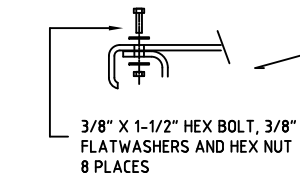
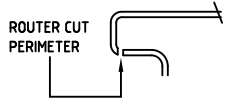


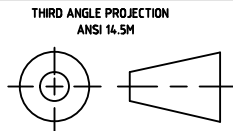
← GO BACK

TOP1505GAL-PE-64DIA

LID TRIM AND FASTENING DETAIL



REV	DESCRIPTION	BY / DATE	CCN
ALL DIMENSIONS ARE IN DECIMAL INCHES TOLERANCES UNLESS OTHERWISE SPECIFIED			
POLYETHYLENE ±1% @ 68° F		METAL DECIMAL ± .125" FRACTION ± 1/4" ANGLE ± 1°	



DRAWN / DATE DHJ 2/2/12
APPRD. / DATE REH 3/6/12
SHOT WEIGHT: 335 LBS.
SHIPPING WEIGHT: 337 LBS.
FINISH:

MATERIAL 10420
NOTES: 1. .34 WALL



ChemIndustrial Systems, Inc.
PO Box 500, Cedarburg, WI 53012
262-375-8570 • (Fax) 262-375-8559 • info@chemindustrial.com

DESCRIPTION	1505 GALLON OPEN TOP WITH BOLT ON TOP	
SCALE	N.S.	PART NO. TOP1505GAL-PE-64DIA