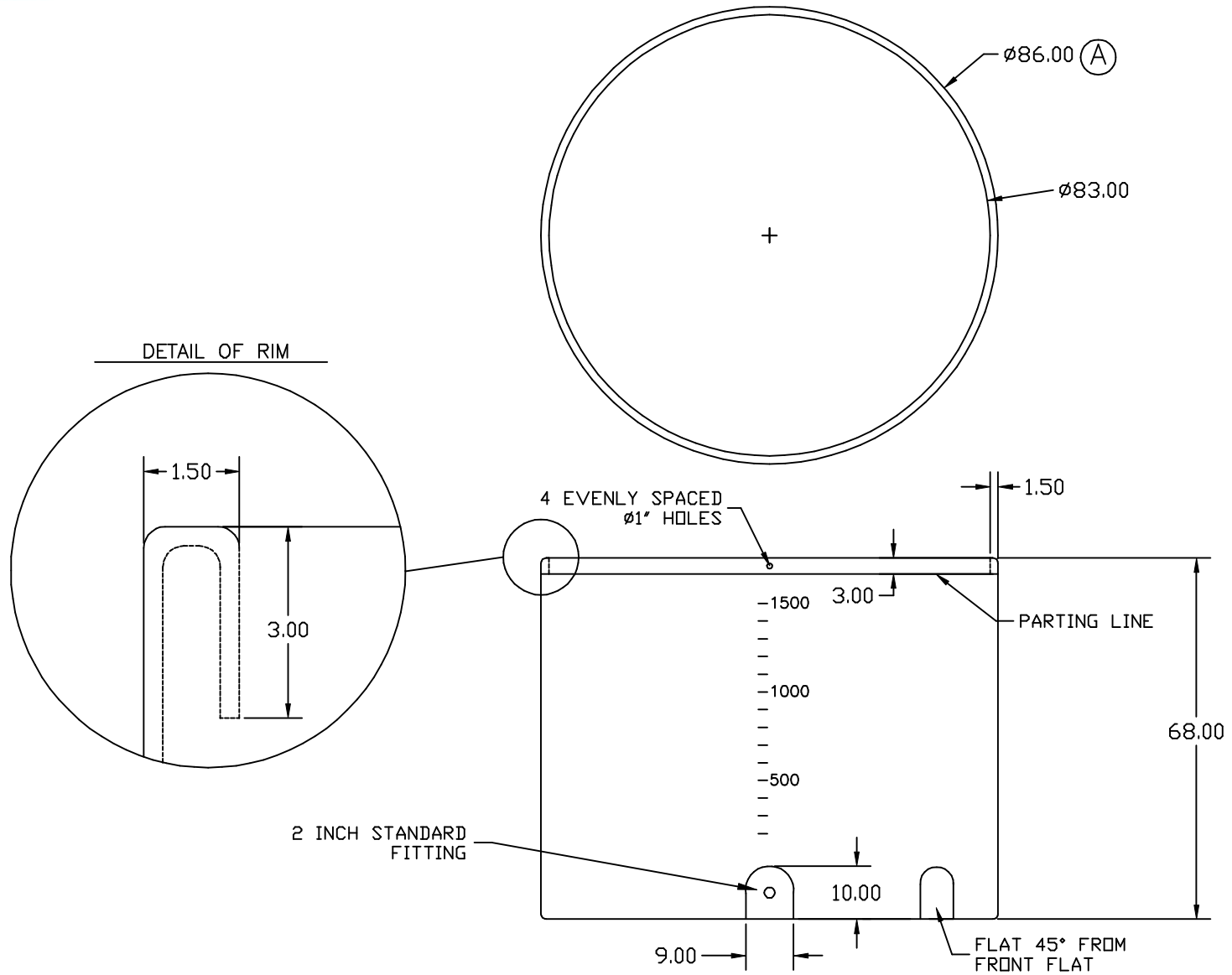

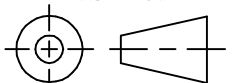


← GO BACK

TOP1500GAL-PE-86DIA



				DRAWN / DATE NVE 6/13/05	MATERIAL	 <b>ChemIndustrial Systems, Inc.</b> PO Box 500, Cedarburg, WI 53012 262-375-8570 • (Fax) 262-375-8559 • info@chemindustrial.com
A	DIA WAS 85, PN WAS OP1500-85	7/31/06	NVE	APPRD. / DATE DHJ 6/22/05	HDPE OR EQUIVALENT REFERENCE MATERIAL DATA SHEET FOR SPECIFIC PROPERTIES.	
REV	DESCRIPTION	DATE	APPRD			
ALL DIMENSIONS ARE IN DECIMAL INCHES TOLERANCES UNLESS OTHERWISE SPECIFIED $\pm 1\% @ 68^\circ F$				THIRD ANGLE PROJECTION ANSI 14.5M 	NOTES: 1. .300 WALL THICKNESS AT FITTING 2. SHOT WEIGHT 240 LBS.	SCALE N.S.
						PART NO. TOP1500GAL-PE-86DIA