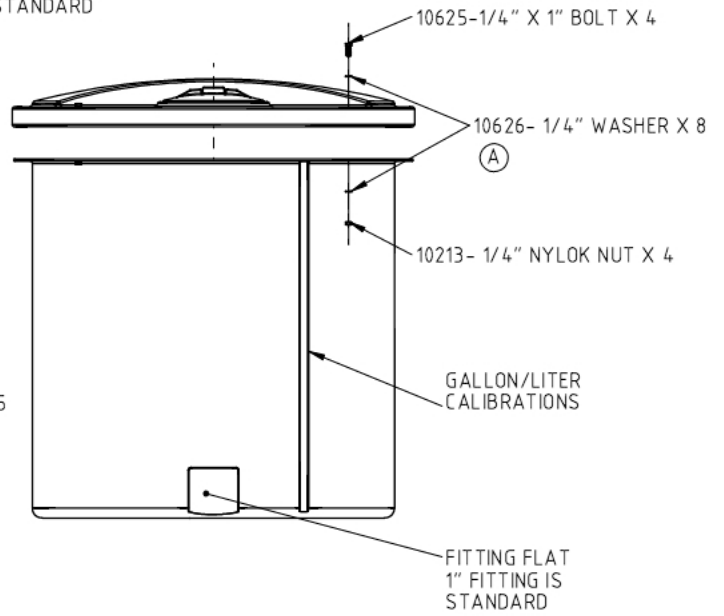
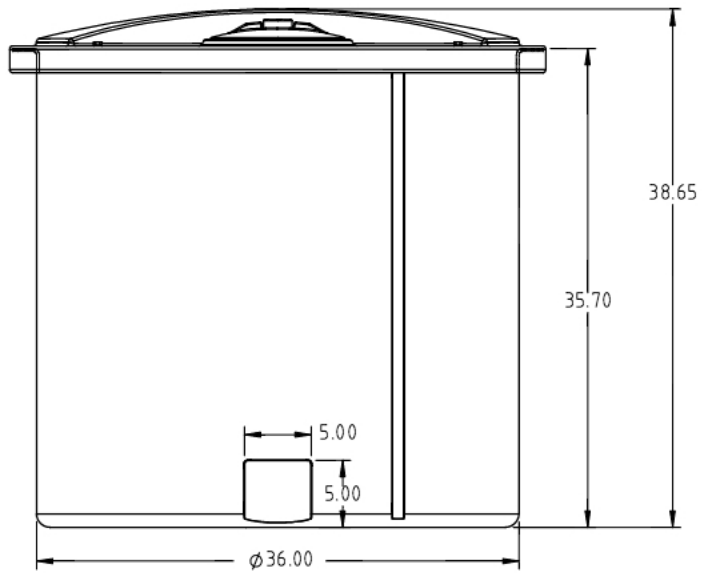
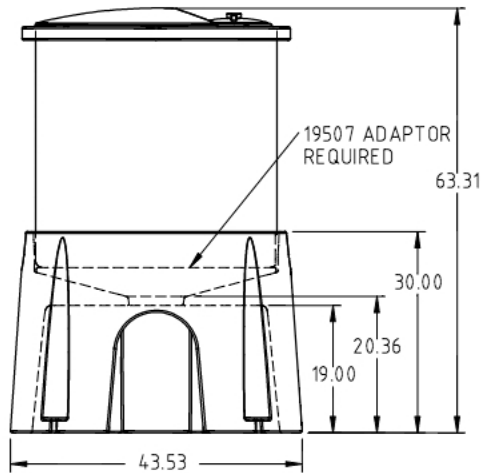
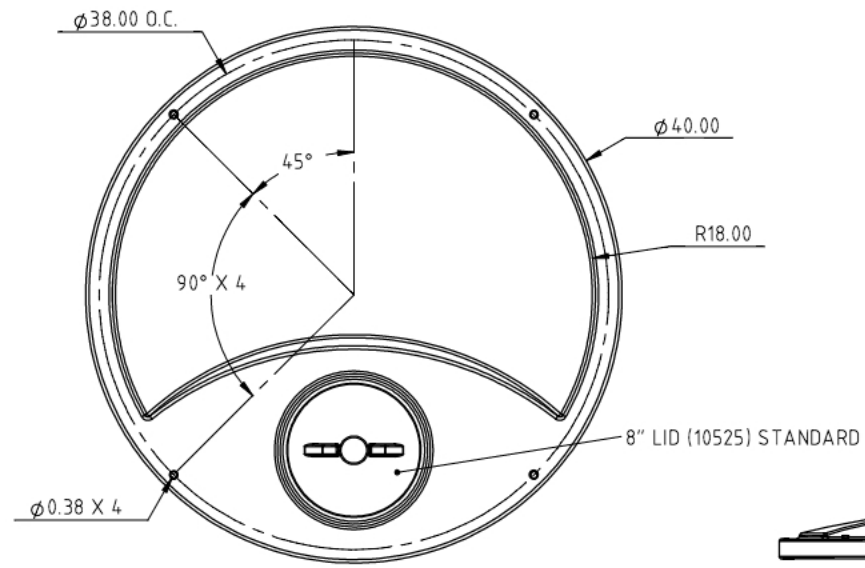


← GO BACK



				DRAWN / DATE ADH 2/18/11		MATERIAL 104-20		<b>CSI</b> ChemIndustrial Systems, Inc. PO Box 500, Cedarburg, WI 53012 262-375-8570 • (Fax) 262-375-8559 • info@chemindustrial.com	
A		10626 WAS SJ10067		ADH 10/26/11 2311		APPRD. / DATE REH 4/18/11			
REV		DESCRIPTION		BY / DATE		CCN		DESCRIPTION 36" DIA. X 145 GALLON VERTICAL TANK - OPEN TOP	
ALL DIMENSIONS ARE IN DECIMAL INCHES TOLERANCES UNLESS OTHERWISE SPECIFIED POLYETHYLENE ±1% @ 68°F		THIRD ANGLE PROJECTION ANSI 14.5M 		SHOT WEIGHT: 50.00 LBS SHIPPING WEIGHT: 52.00 LBS FINISH:		NOTES: 1.) 0.20 WALL THICKNESS		SCALE N.S.	
METAL DECIMAL ± .125" FRACTION ± 1/4" ANGLE ± 1°								PART NO. <b>TOP145GAL-PE-36DIA</b>	