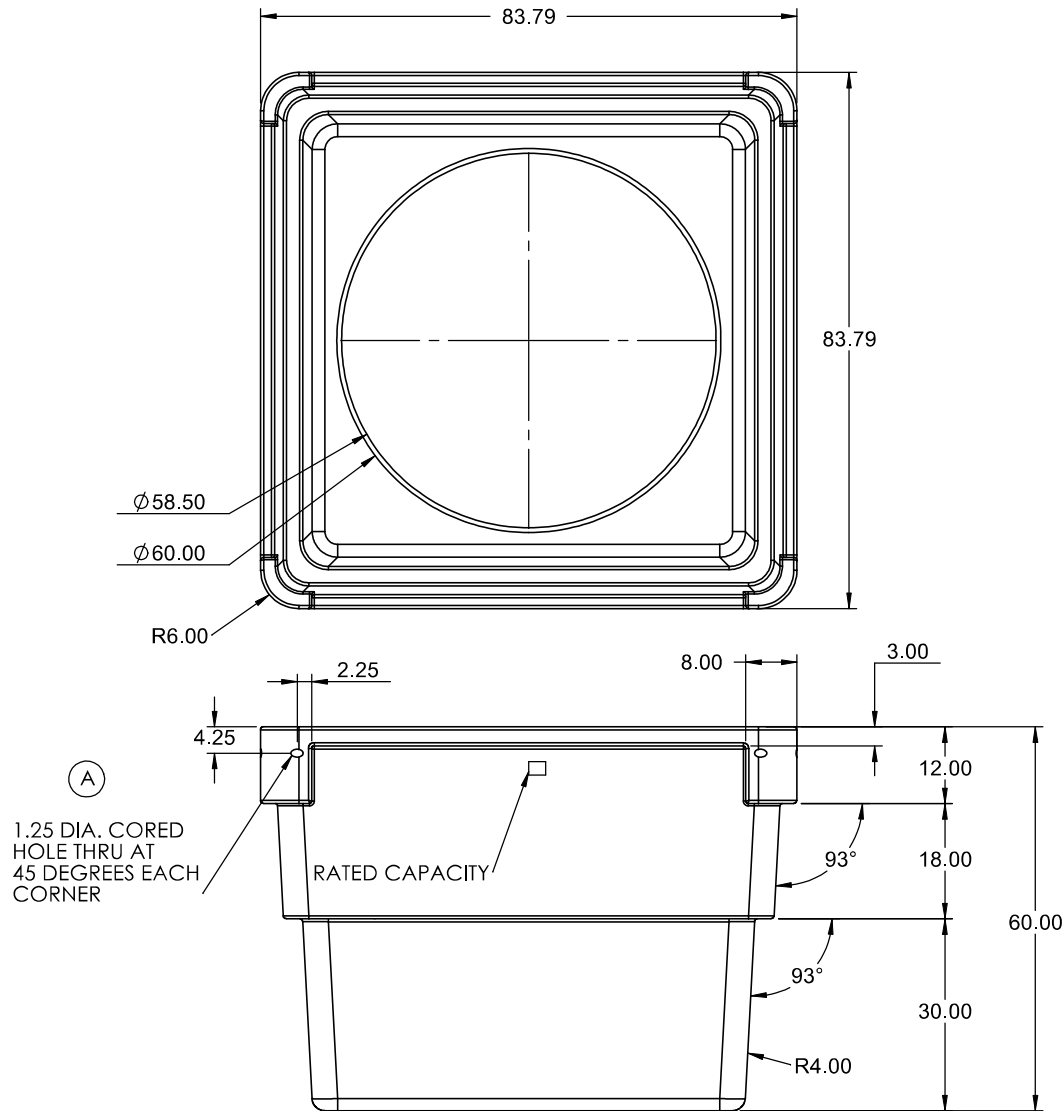

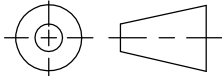


← GO BACK

TOP1325GAL-PE-RT



STACK 5 HIGH UPSIDE DOWN FOR STORAGE

				DRAWN / DATE ADH 6/25/08	MATERIAL 10538 POWDER	 <b>ChemIndustrial Systems, Inc.</b> PO Box 500, Cedarburg, WI 53012 262-375-8570 • (Fax) 262-375-8559 • info@chemindustrial.com
A	ADDED CORNER HOLES	REH 1/5/09	1775	APPROD. / DATE REH 7/1/08		
REV	DESCRIPTION	BY / DATE	CCN			
ALL DIMENSIONS ARE IN DECIMAL INCHES TOLERANCES UNLESS OTHERWISE SPECIFIED POLYETHYLENE ±1% @ 68°F		ANSI 14.5M 		SHOT WEIGHT: 375 LB. SHIPPING WEIGHT: 360 LB. FINISH: BEAD BLAST	NOTES: 1. NATURAL COLOR STD. 2. .425 WALL THICKNESS	DESCRIPTION 1325 GALLON CONTAINMENT TANK
						SCALE PART NO. <b>TOP1325GAL-PE-RT</b>