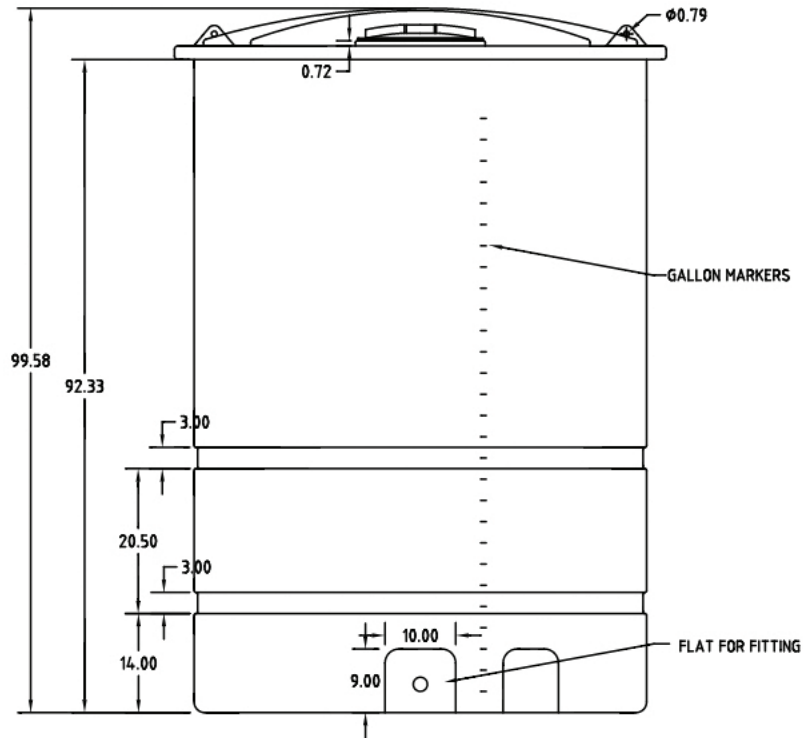
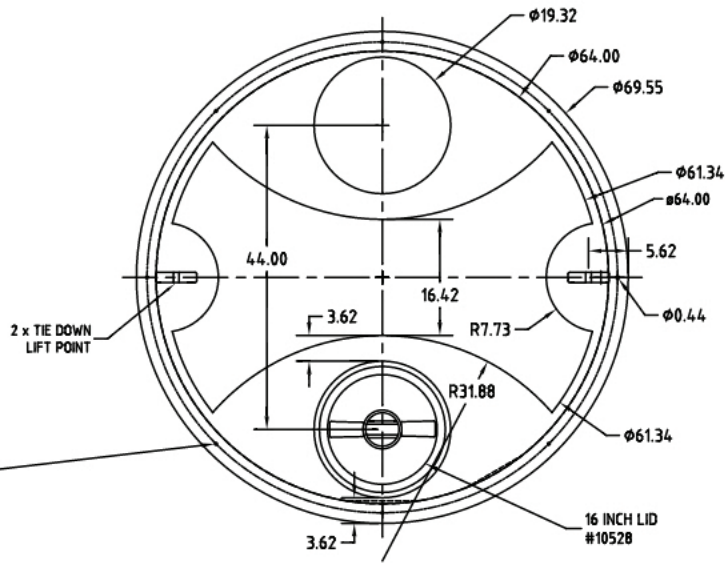
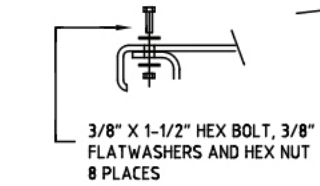
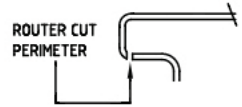


← GO BACK

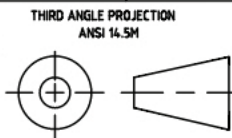
LID TRIM AND FASTENING DETAIL



DRAWN / DATE	DHJ 2/2/12
APPRD. / DATE	REH 3/6/12
MATERIAL	10420
SHOT WEIGHT:	275 LBS.
SHIPPING WEIGHT:	277 LBS.
FINISH:	
NOTES:	1. .31 WALL

CSI
 ChemIndustrial Systems, Inc.
 PO Box 500, Cedarburg, WI 53012
 262-375-8570 • (Fax) 262-375-8559 • info@chemindustrial.com

REV	DESCRIPTION	BY / DATE	CCN
	ALL DIMENSIONS ARE IN DECIMAL INCHES TOLERANCES UNLESS OTHERWISE SPECIFIED		
	POLYETHYLENE ±1% @ 68° F		
	METAL DECIMAL ± .125" FRACTION ± 1/4" ANGLE ± 1°		



DESCRIPTION	1210 GALLON OPEN TOP WITH BOLT ON TOP	
SCALE	N.S.	PART NO. TOP1210GAL-PE-64DIA