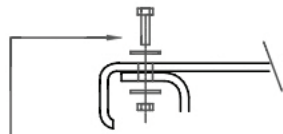
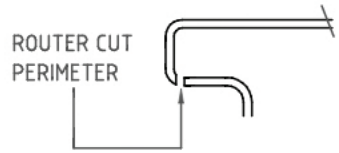
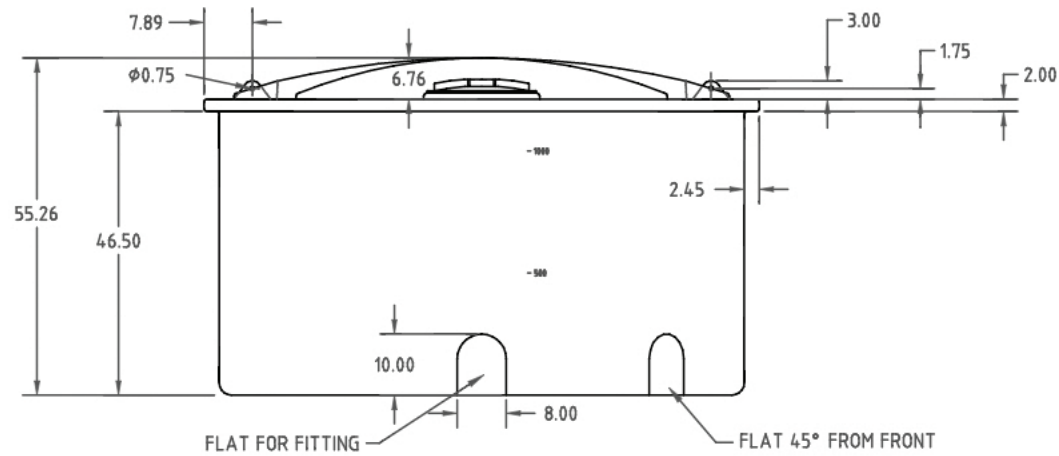
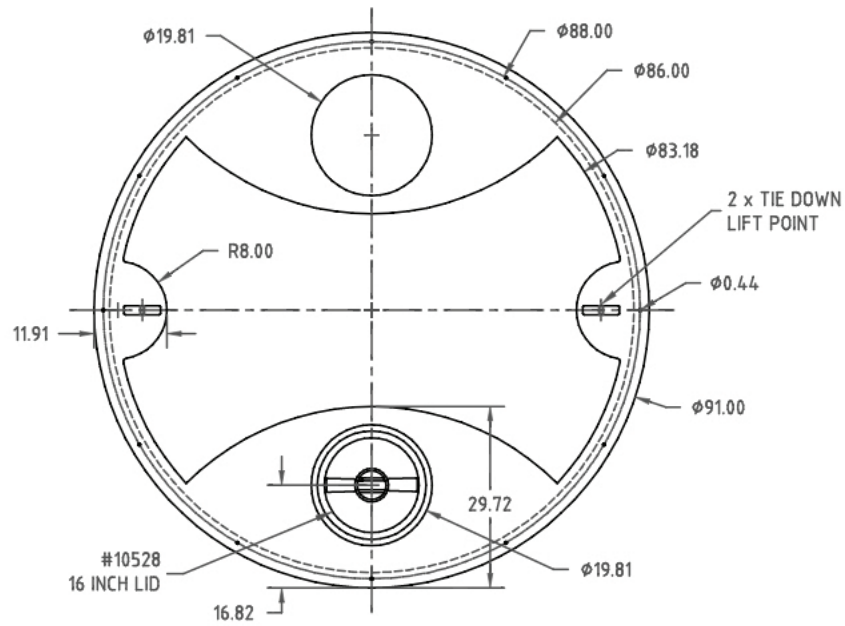


← GO BACK

LID TRIM AND FASTENING DETAIL



3/8" X 1-1/2" HEX BOLT, 3/8" FLATWASHERS AND HEX NUT 12 PLACES

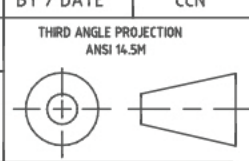


REV	DESCRIPTION	BY / DATE	CCN

DRAWN / DATE	MATERIAL
DHJ 4/27/11	10420
APPRD. / DATE	
REH 5/10/11	

CSI
 ChemIndustrial Systems, Inc.
 PO Box 500, Cedarburg, WI 53012
 262-375-8570 • (Fax) 262-375-8559 • info@chemindustrial.com

ALL DIMENSIONS ARE IN DECIMAL INCHES TOLERANCES UNLESS OTHERWISE SPECIFIED	
POLYETHYLENE	METAL DECIMAL $\pm .125"$ FRACTION $\pm 1/4"$ ANGLE $\pm 1^\circ$



SHOT WEIGHT:	NOTES:
190 LBS.	1.200 THICK AT FITTING
SHIPPING WEIGHT:	
192 LBS.	
FINISH:	

DESCRIPTION	1060 GALLON OPEN TOP TANK
SCALE	N.S.
PART NO.	TOP1060GAL-PE-86DIA