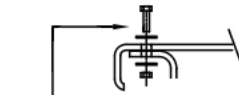
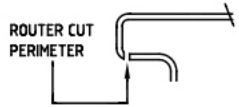
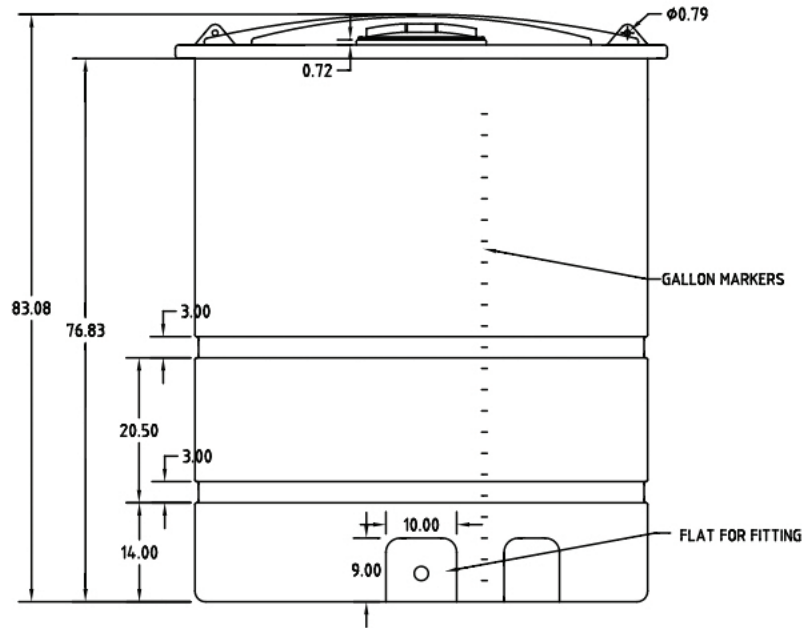
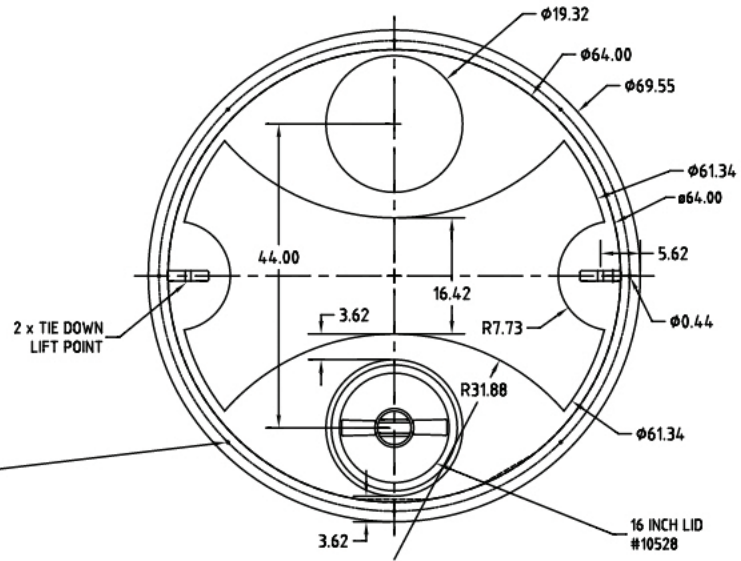


LID TRIM AND FASTENING DETAIL



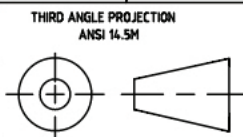
3/8" X 1-1/2" HEX BOLT, 3/8" FLATWASHERS AND HEX NUT 8 PLACES



DRAWN / DATE	DHJ 2/2/12	MATERIAL	10420
APPRD. / DATE	REH 3/6/12	NOTES:	1. .25 WALL
SHOT WEIGHT:	250 LBS.	FINISH:	
SHIPPING WEIGHT:	252 LBS.		

**CSI**  
 ChemIndustrial Systems, Inc.  
 PO Box 500, Cedarburg, WI 53012  
 262-375-8570 • (Fax) 262-375-8559 • info@chemindustrial.com

REV	DESCRIPTION	BY / DATE	CCN
	ALL DIMENSIONS ARE IN DECIMAL INCHES TOLERANCES UNLESS OTHERWISE SPECIFIED		
	<u>POLYETHYLENE</u>		
	<u>METAL</u>		
	$\pm 1\%$ @ 68° F		
	DECIMAL $\pm .125$ "		
	FRACTION $\pm 1/4$ "		
	ANGLE $\pm 1^\circ$		



DESCRIPTION	1010 GALLON OPEN TOP WITH BOLT ON TOP	
SCALE	N.S.	PART NO. <b>TOP1010GAL-PE-64DIA</b>