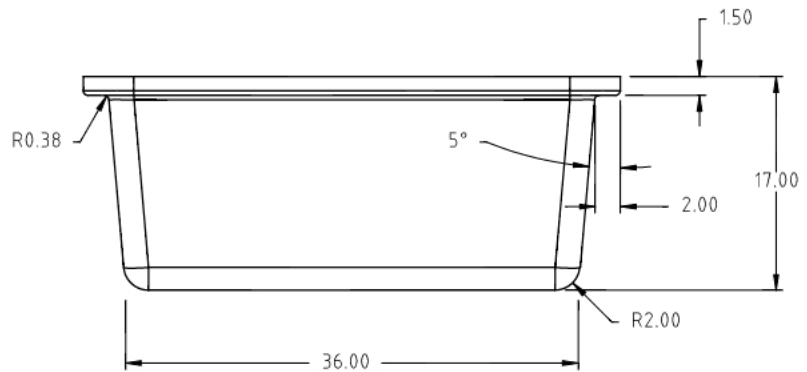
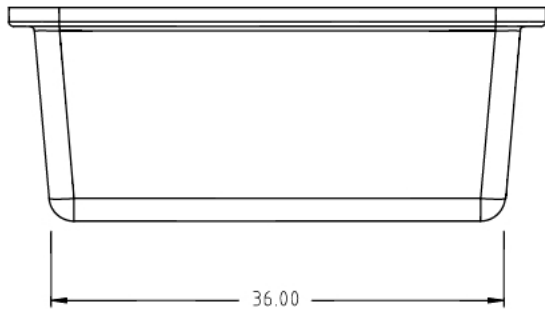
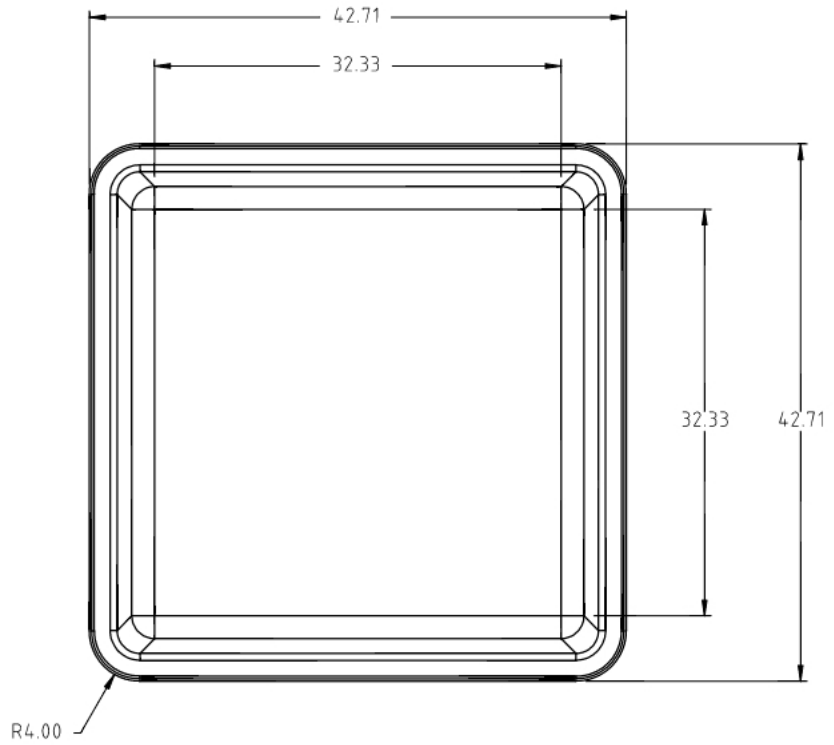
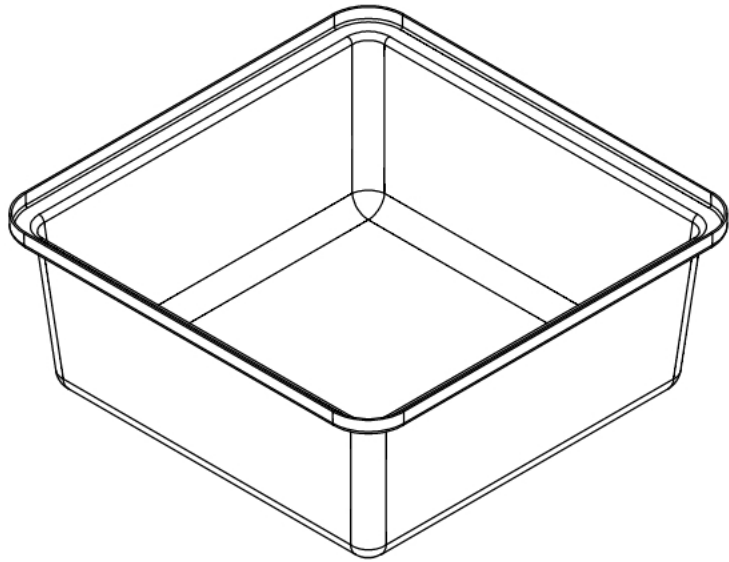


← GO BACK



REV	DESCRIPTION	BY / DATE	CCN	DRAWN / DATE ADH 2/6/12	MATERIAL 10420 NATURAL
				APPRD. / DATE REH 2/6/12	
	ALL DIMENSIONS ARE IN DECIMAL INCHES TOLERANCES UNLESS OTHERWISE SPECIFIED	THIRD ANGLE PROJECTION ANSI 14.5M		SHOT WEIGHT: 53 LB.	NOTES: 1.) NOM. WALL 0.18"
	POLYETHYLENE			SHIPPING WEIGHT: 26 LB.	
	±1% @ 68° F			FINISH:	
	METAL DECIMAL ± .125" FRACTION ± 1/4" ANGLE ± 1°				

CSI
ChemIndustrial Systems, Inc.
PO Box 500, Cedarburg, WI 53012
262-375-8570 • (Fax) 262-375-8559 • info@chemindustrial.com

DESCRIPTION	100 GALLON CONTAINMENT TANK	
SCALE	N.S.	PART NO. TOP100GAL-PE-RT