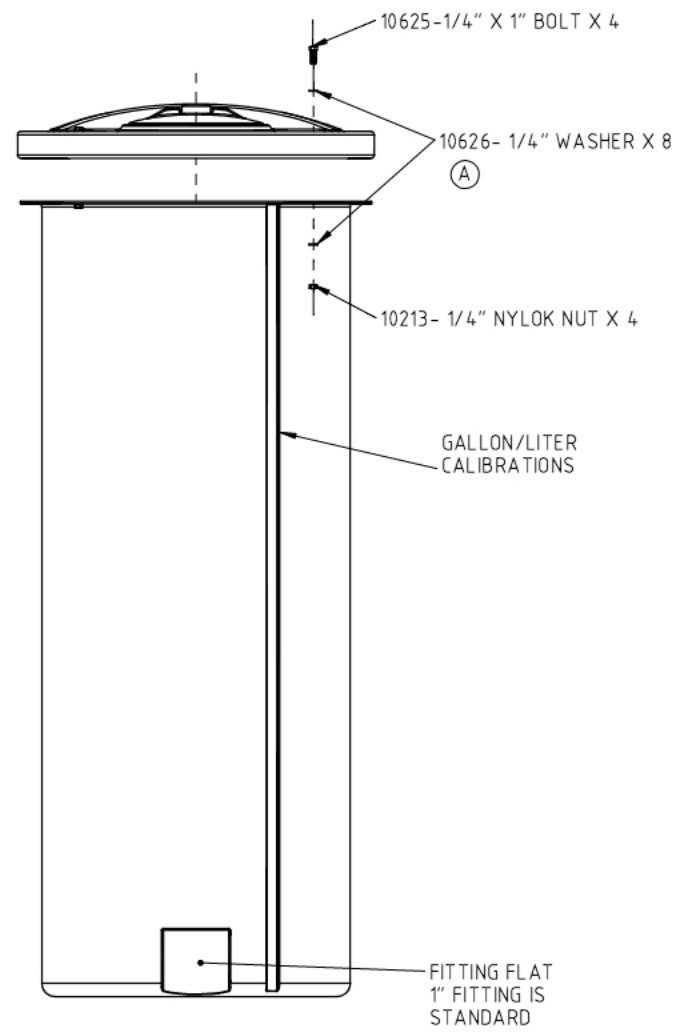
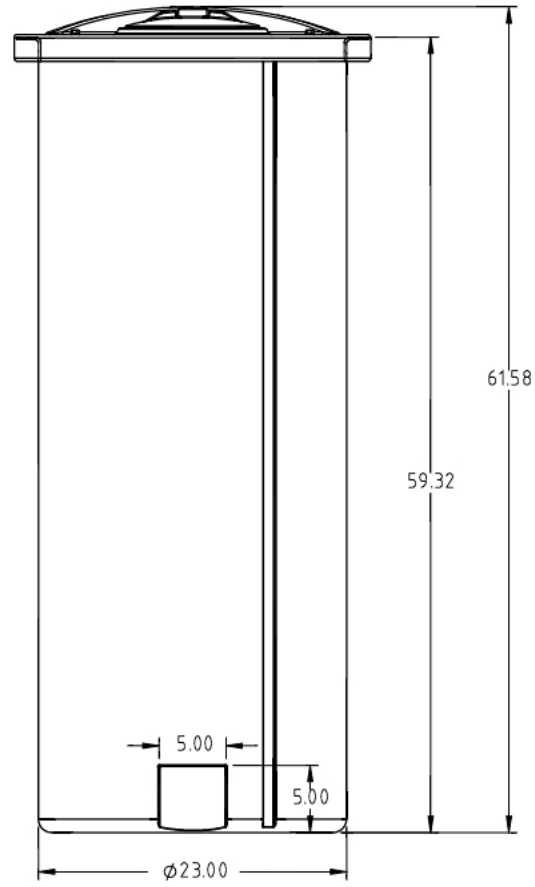
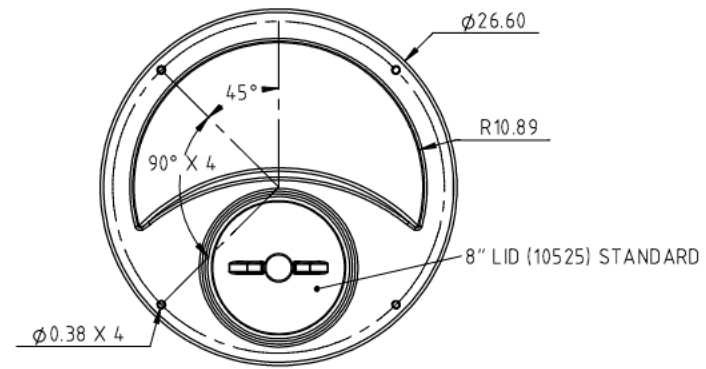
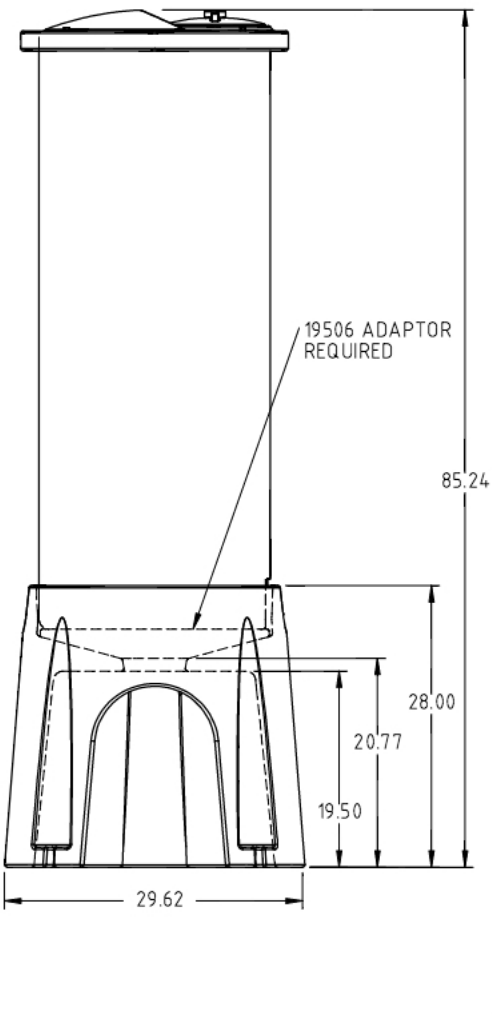


← GO BACK



REV	DESCRIPTION	BY / DATE	CCN
A	10626 WAS SJ10067	ADH 10/26/11	2311
ALL DIMENSIONS ARE IN DECIMAL INCHES TOLERANCES UNLESS OTHERWISE SPECIFIED		THIRD ANGLE PROJECTION ANSI 14.5M	
POLYETHYLENE		METAL	
±1% @ 68°F		DECIMAL ± .125" FRACTION ± 1/4" ANGLE ± 1°	

DRAWN / DATE	ADH 3/21/11
APPRD. / DATE	REH 4/18/11
SHOT WEIGHT:	34.00 LBS
SHIPPING WEIGHT:	36.00 LBS
FINISH:	

MATERIAL	10420
NOTES:	1.) 0.20 WALL THICKNESS

CSI
ChemIndustrial Systems, Inc.
PO Box 500, Cedarburg, WI 53012
262-375-8570 • [Fax] 262-375-8559 • info@chemindustrial.com

DESCRIPTION	23" DIA. X 100 GALLON VERTICAL TANK- OPEN TOP	
SCALE	N.S.	PART NO. TOP100GAL-PE-23DIA