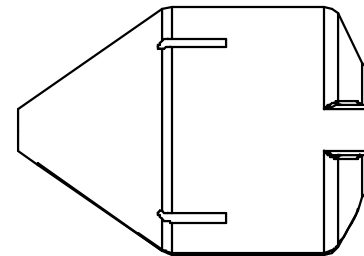
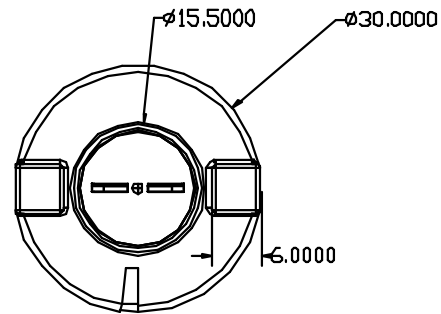
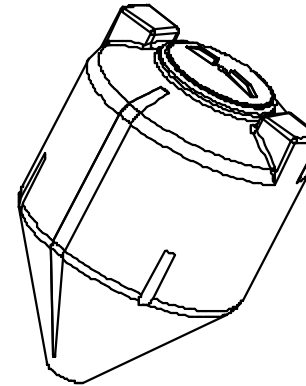
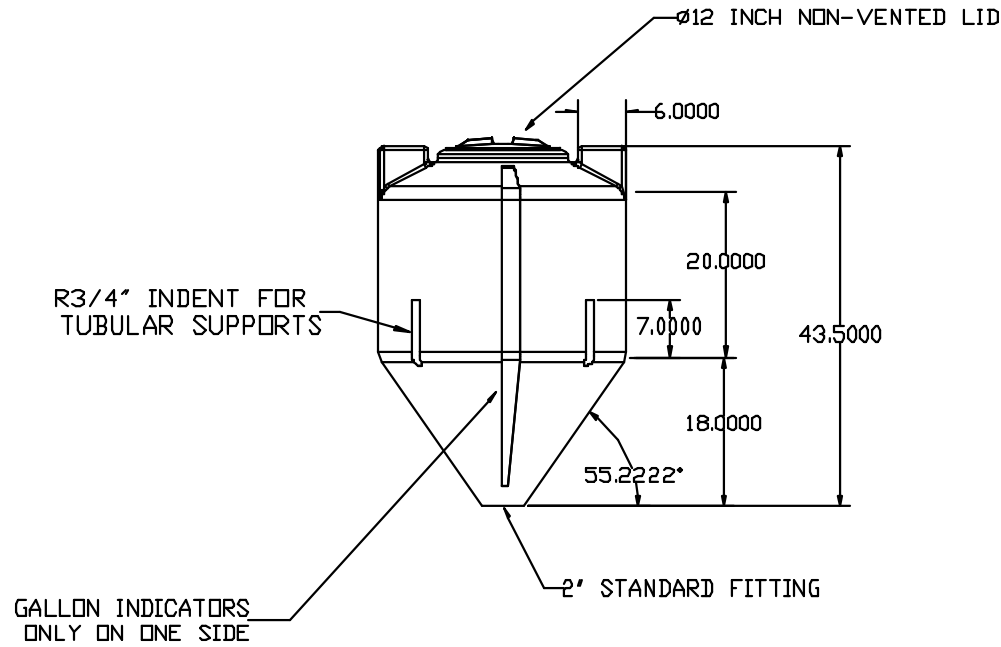


← GO BACK

TCB85GAL-PE-30DIA



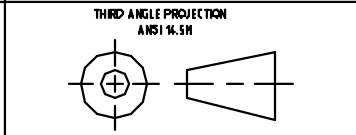
REV	DESCRIPTION	DATE	APPRD

DRAWN / DATE NVE 6/16/15
APPRD. / DATE DHJ 6/22/15

MATERIAL MDPE OR EQUIVALENT REFERENCE MATERIAL DATA SHEET FOR SPECIFIC PROPERTIES.

CSI
 ChemIndustrial Systems, Inc.
 PO Box 500, Cedarburg, WI 53012
 262-375-8570 • (Fax) 262-375-8559 • info@chemindustrial.com

ALL DIMENSIONS ARE IN DECIMAL INCHES
 TOLERANCES UNLESS OTHERWISE SPECIFIED
 ± 1% @ 68° F



NOTES:
 1. NOM. WALL @ .231
 2. WHITE OR YELLOW COLOR
 3. SHOT WEIGHT 35 LBS.

SCALE N.S.

PART NO. TCB85GAL-PE-30DIA