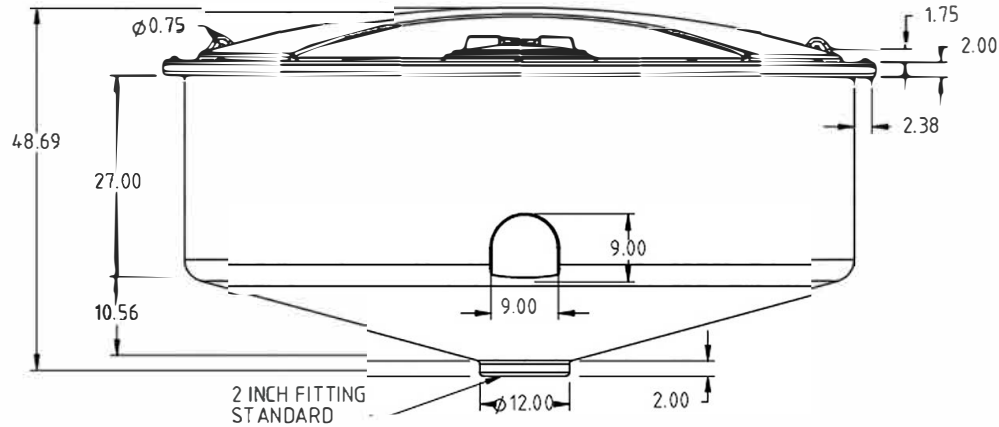
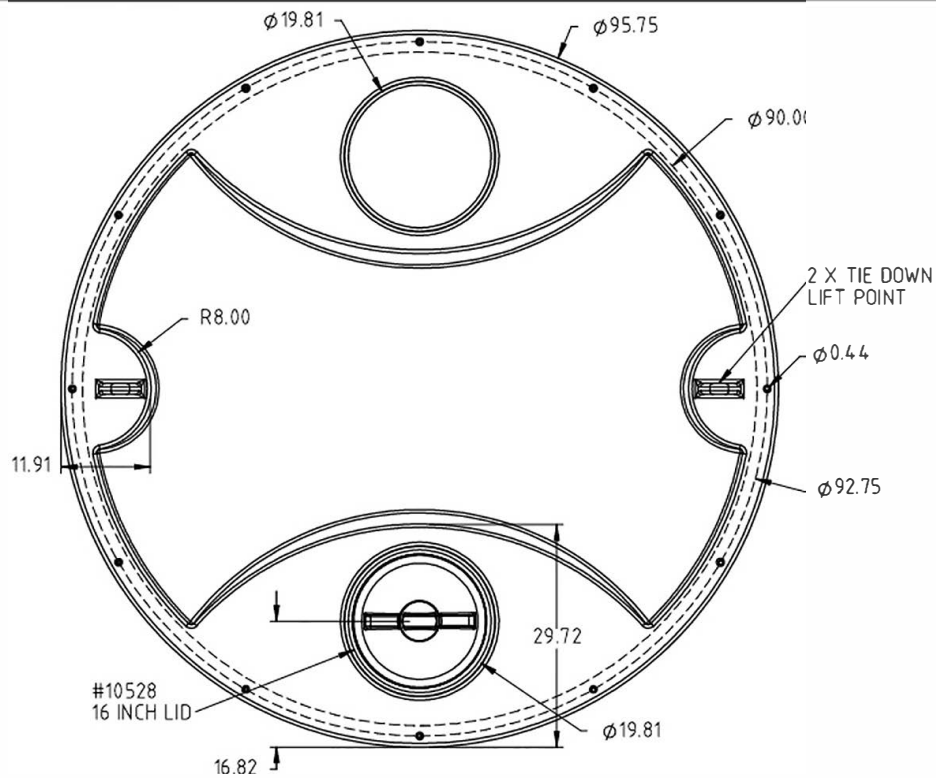
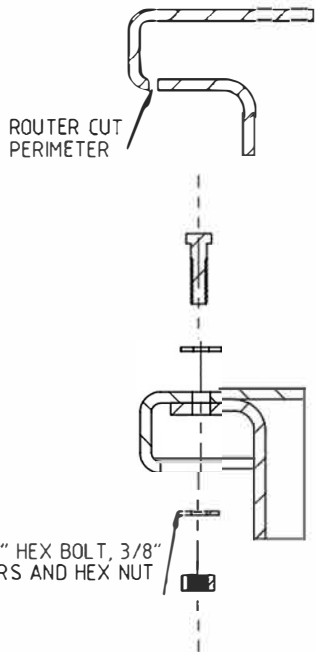


← GO BACK

LID TRIM AND FASTENING DETAIL



REV	DESCRIPTION	BY / DATE	CCN
ALL DIMENSIONS ARE IN DECIMAL INCHES TOLERANCES UNLESS OTHERWISE SPECIFIED			
POLYETHYLENE		THIRD ANGLE PROJECTION ANSI 14.5M	
±1% @ 68° F			
METAL DECIMAL ± .125" FRACTION ± 1/4" ANGLE ± 1°			

DRAWN / DATE	DHJ 2/3/12
APPRD. / DATE	REH 7/12/12
SHOT WEIGHT:	212.00 LBS
SHIPPING WEIGHT:	214.00 LBS
FINISH:	

MATERIAL	104-20
NOTES:	1.) 0.28" THICK AT FITTING

ChemIndustrial Systems, Inc.
 PO Box 500, Cedarburg, WI 53012
 282-375-8570 • (Fax) 282-375-8559 • info@chemindustrial.com

DESCRIPTION	840 GALLON OPEN CONE WITH BOLT ON TOP	
SCALE	N.S.	PART NO. TCB840GAL-PE-90DIA-OC