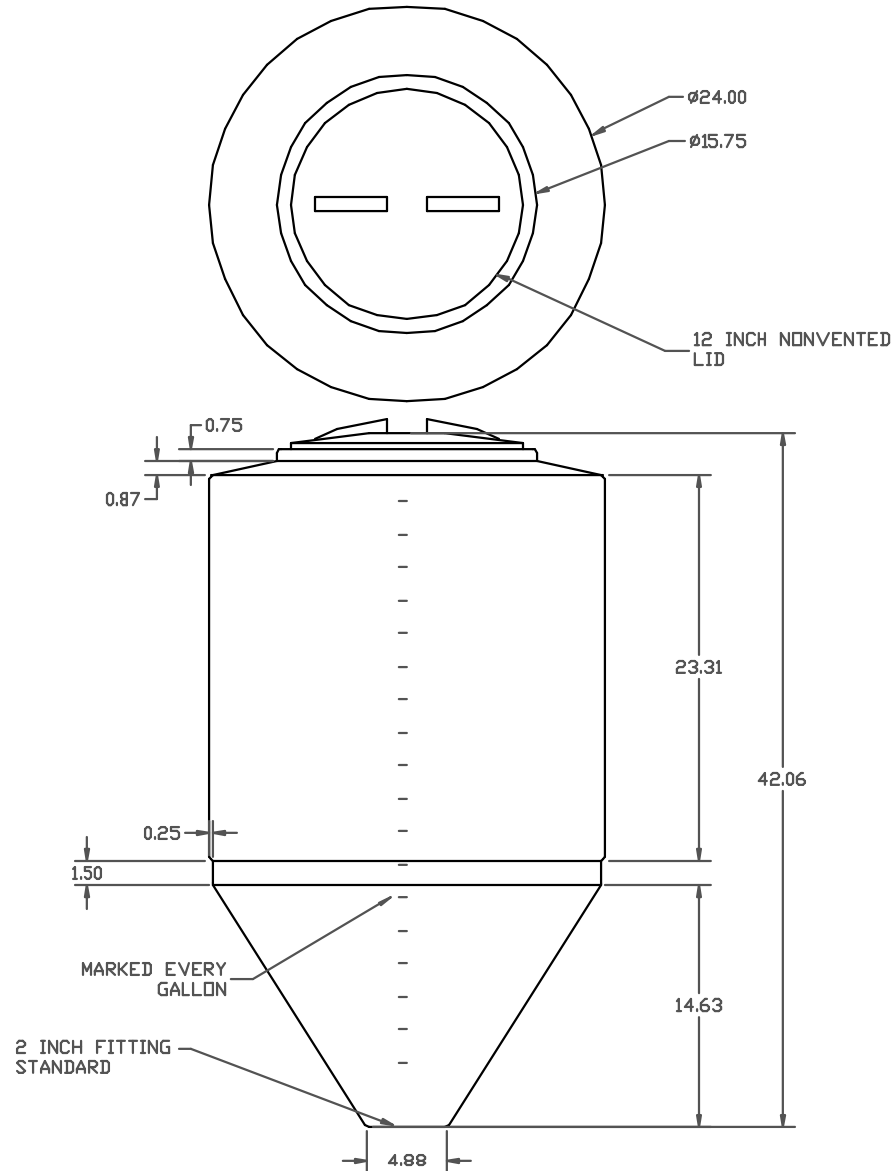


← GO BACK

TCB60GAL-PE-24DIA



				DRAWN / DATE
				DHJ 4/19/05
A	NEW PRINT FORMAT	2/7/16	NVE	APPROD. / DATE
REV	DESCRIPTION	DATE	APPROD	

				MATERIAL
				HDPE OR EQUIVALENT REFERENCE MATERIAL DATA SHEET FOR SPECIFIC PROPERTIES.

				NOTES:
				1. .22 NOM. WALL 2. SHDT WEIGHT 22 LBS.

				SCALE
				N.S.

				<p>CSI ChemIndustrial Systems, Inc. PO Box 500, Cedarburg, WI 53012 262-375-8570 • (Fax) 262-375-8559 • info@chemindustrial.com</p>
				PART NO. TCB60GAL-PE-24DIA

ALL DIMENSIONS ARE IN DECIMAL INCHES
TOLERANCES UNLESS OTHERWISE SPECIFIED
± 1% @ 68° F

