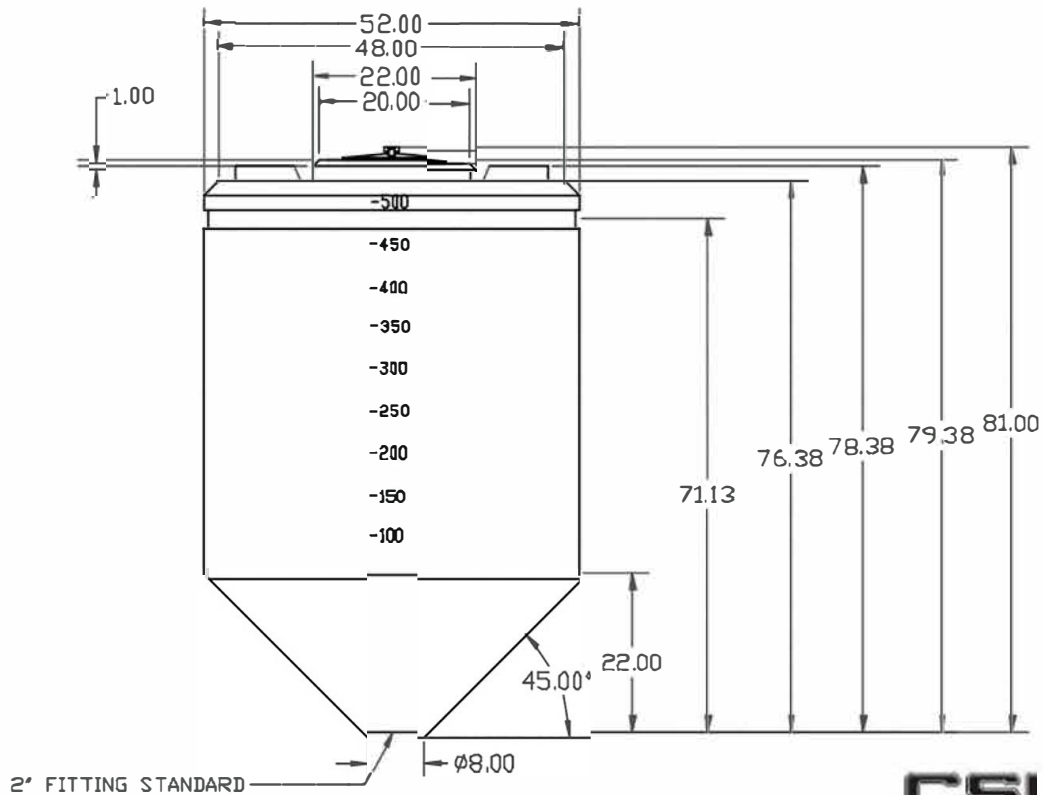
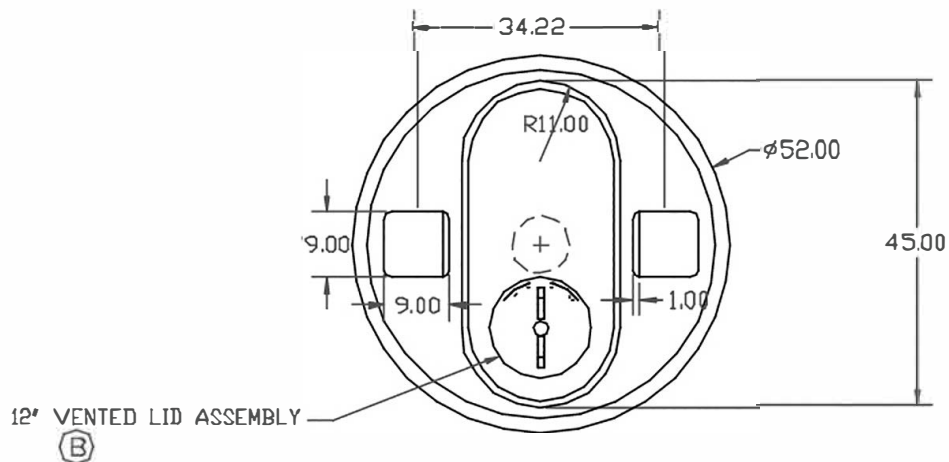


← GO BACK



**CSI**

ChemIndustrial Systems, Inc.  
 PO Box 500, Cedarburg, WI 53012  
 262-375-8570 • (Fax) 262-375-8559 • info@chemindustrial.com

REV	DESCRIPTION	DATE	APPRD.	DRAWN / DATE	MATERIAL
B	16 INCH LID WAS SHOWN	4/17/07	DHJ	REH 08/08/01	HDPE OR EQUIVALENT REFERENCE MATERIAL DATA SHEET FOR SPECIFIC PROPERTIES.
A	REMOVED STAND FROM PRINT	3/17/06	NVE	APPRD. / DATE GWC 4/18/07	

ALL DIMENSIONS ARE IN DECIMAL INCHES  
 TOLERANCES UNLESS OTHERWISE SPECIFIED  
 ± 1% @ 68° F

THIRD ANGLE PROJECTION  
 ANSI 14.5M

NOTES:  
 1. NOM. WALL @ .288  
 2. SHOT WEIGHT 130 LBS.

CLIENT / DESCRIPTION	500 GALLON CONE BOTTOM TANK, Ø52"	
SCALE	N.S.	PART NO. TCB500GAL-PE-52DIA-FT