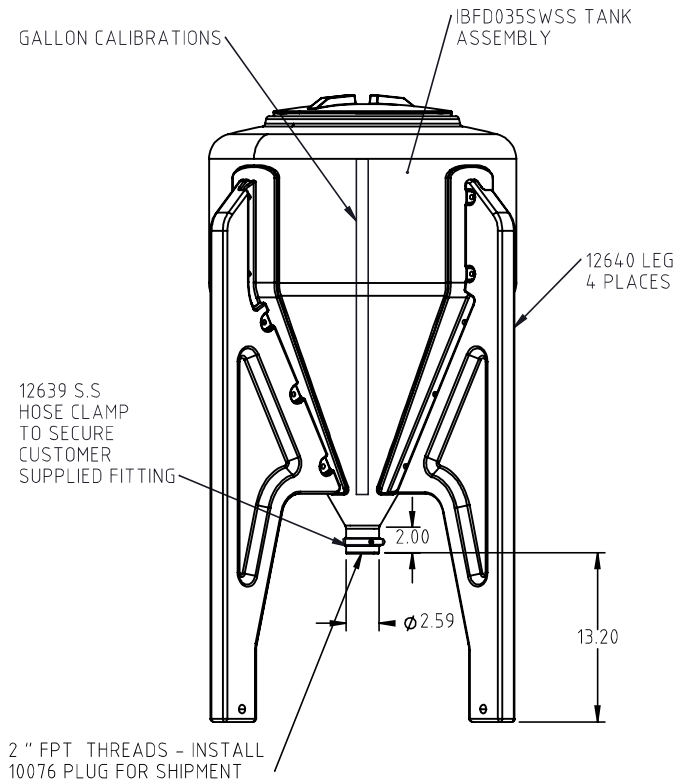
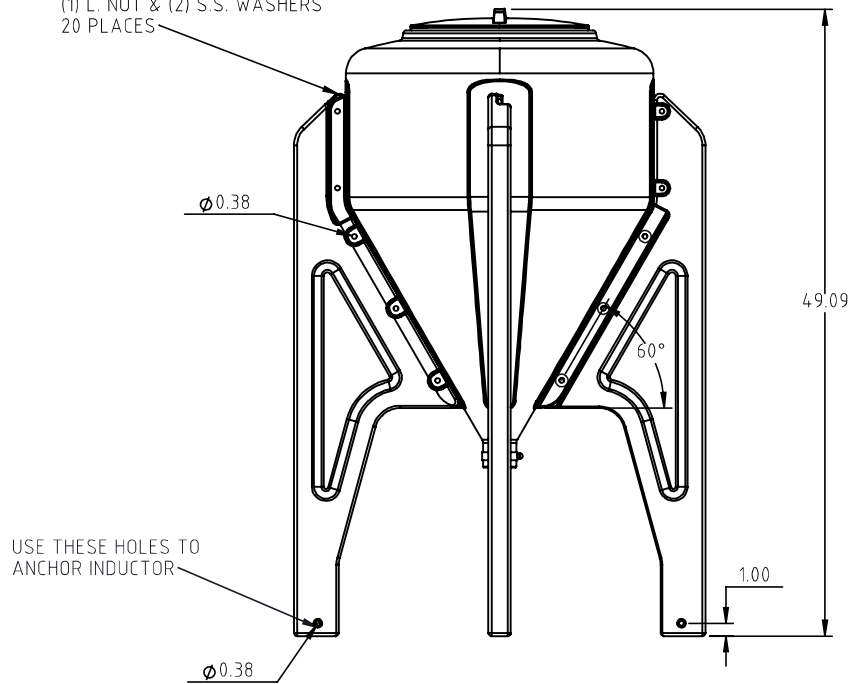


HARDWARE BAG 12641
 (1) 5/16" X 1 1/4" S.S. BOLT,
 (1) L. NUT & (2) S.S. WASHERS
 20 PLACES



DRAWN / DATE MATERIAL

ADH 8/25/08

APPRD. / DATE

REH 6/11/09

SHOT WEIGHT: NOTES:

SHIPPING WEIGHT:

FINISH:

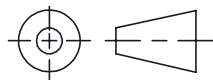
REV DESCRIPTION BY / DATE CCN

ALL DIMENSIONS ARE IN DECIMAL INCHES
 TOLERANCES UNLESS OTHERWISE SPECIFIED
 POLYETHYLENE METAL

±1% @ 68°F

DECIMAL ± .125"
 FRACTION ± 1/4"
 ANGLE ± 1°

THIRD ANGLE PROJECTION
 ANSI 14.5M



CSI
 ChemIndustrial Systems, Inc.
 PO Box 500, Cedarburg, WI 53012
 262-375-8570 • (Fax) 262-375-8559 • info@chemindustrial.com

DESCRIPTION 35 GALLON BLOW MOLDED INDUCTOR AND LEGS

SCALE N.S.

PART NO.

TCB35GAL-PE-24DIA-IBFD