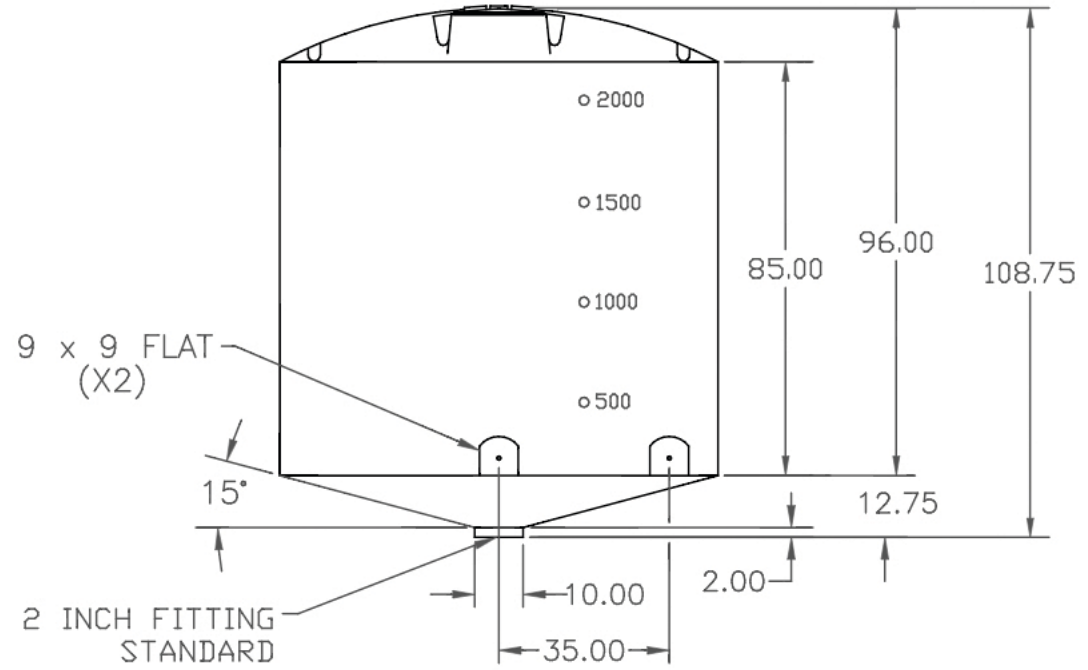
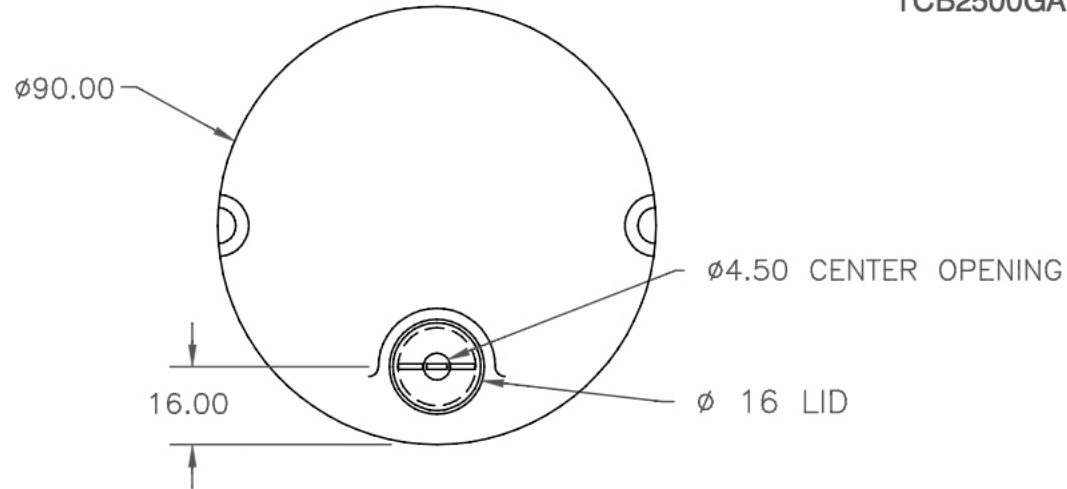


← GO BACK



| | | | | | | | |
|--|--------------------------|---------|-------|--|--|---|--|
| | | | | DRAWN / DATE DHJ 10/7/04 | | MATERIAL | |
| | | | | APPRD. / DATE | | HDPE OR EQUIVALENT REFERENCE MATERIAL DATA SHEET FOR SPECIFIC PROPERTIES. | |
| A | ISOLATED TANK FROM STAND | 6/13/06 | NVE | | | | |
| REV | DESCRIPTION | DATE | APPRD | | | | |
| ALL DIMENSIONS ARE IN DECIMAL INCHES TOLERANCES UNLESS OTHERWISE SPECIFIED $\pm 1\%$ @ 68° F | | | | THIRD ANGLE PROJECTION ANSI 14.5M | | NOTES: 1. SHOT WEIGHT 435 LBS. | |

CSI
ChemIndustrial Systems, Inc.
PO Box 500, Cedarburg, WI 53012
262-375-8570 • (Fax) 262-375-8559 • info@chemindustrial.com

| | |
|---------------|---------------------------------|
| SCALE N.S. | PART NO. TCB2500GAL-PE-90DIA |
|---------------|---------------------------------|