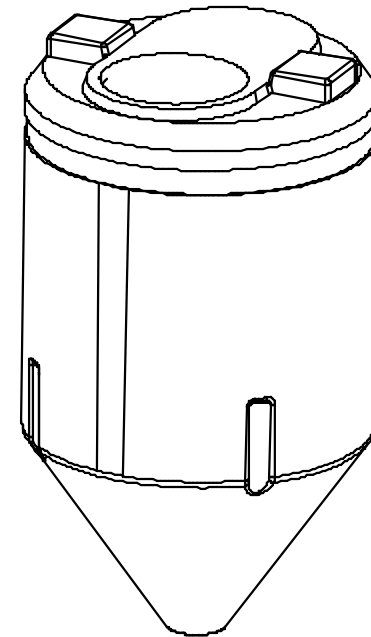
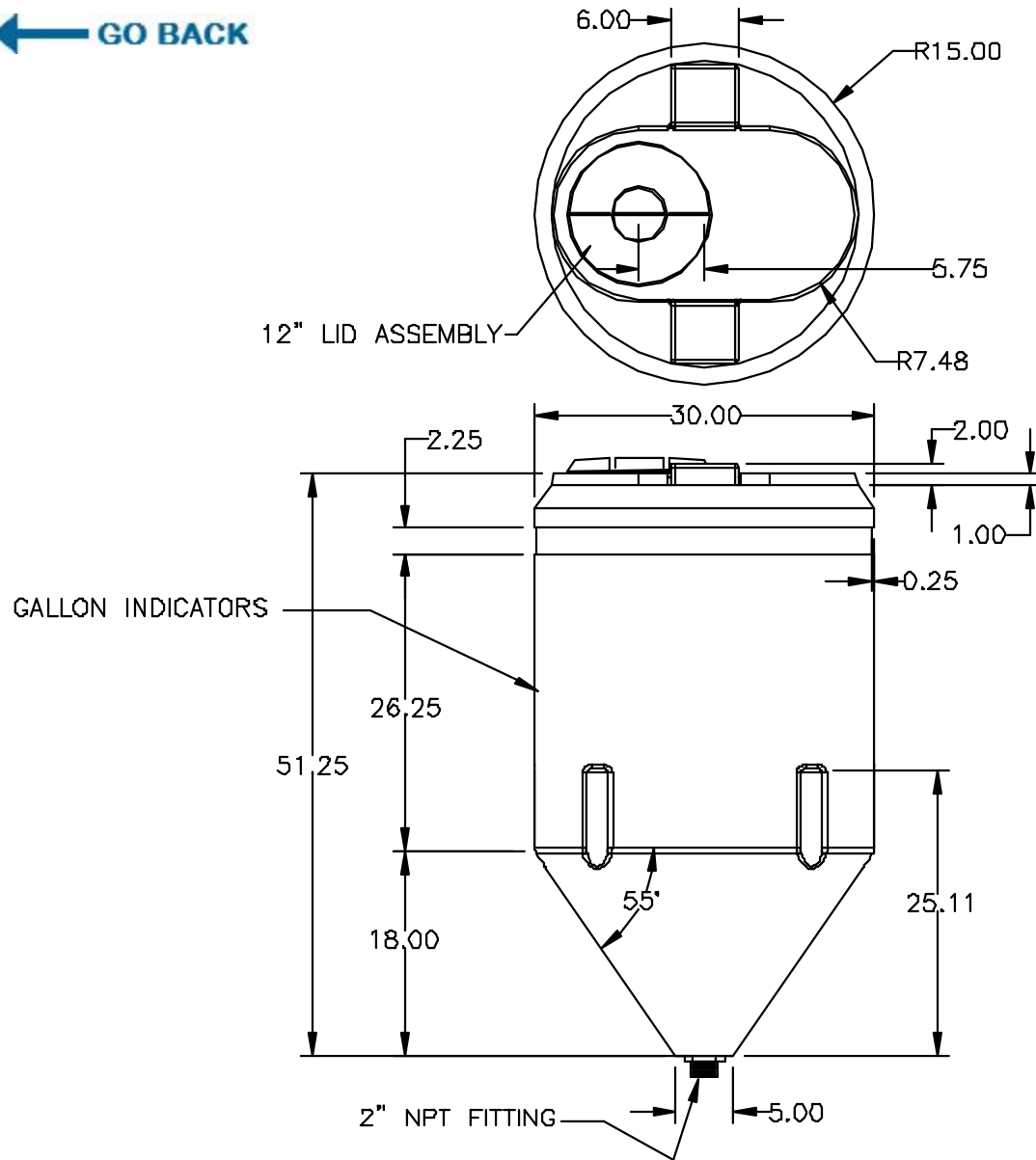


← GO BACK

TCB110GAL-PE-30DIA



				DRAWN / DATE REH / 6/14/98	MATERIAL 42 LB. MOBIL 134
				APPRD. / DATE REH / 6/14/98	
REV	DESCRIPTION	DATE	APPRD		
ALL DIMENSIONS ARE IN DECIMAL INCHES TOLERANCES UNLESS OTHERWISE SPECIFIED $\pm .5\%$ @ 68° F				THIRD ANGLE PROJECTION ANSI 14.0M 	NOTES: 1. NATURAL COLOR 2. NOM. WALL .200

CSI
 ChemIndustrial Systems, Inc.
 PO Box 500, Cedarburg, WI 53012
 262-375-8570 • (Fax) 262-375-8559 • info@chemindustrial.com

SCALE	N.S.	PART NO.	TCB110GAL-PE-30DIA
-------	------	----------	--------------------