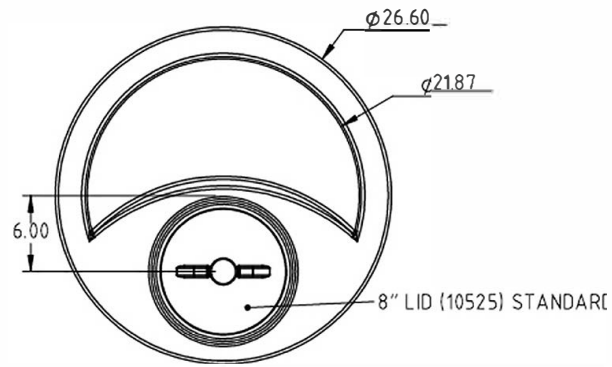
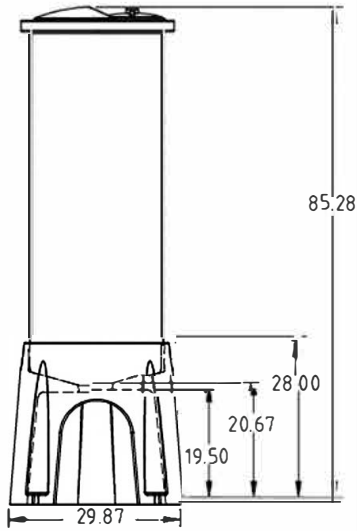
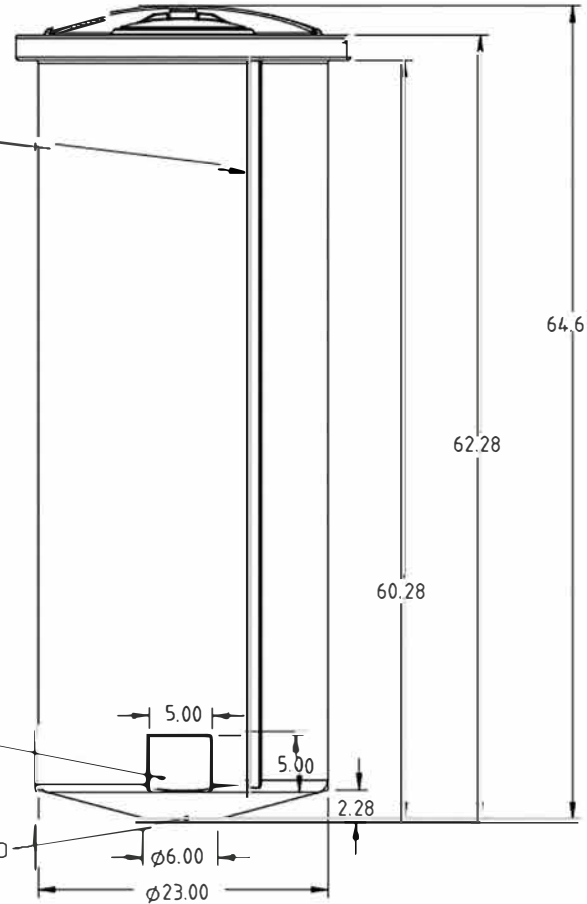


← GO BACK

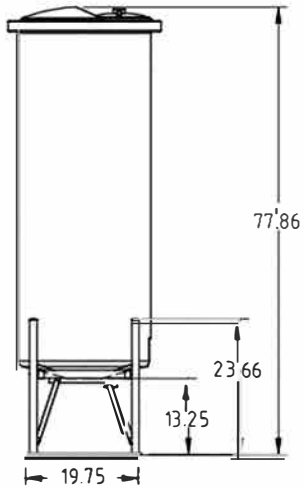


GALLON/LITER CALIBRATIONS



FITTING FLAT

1 1/2" FITTING IS STANDARD



DRAWN / DATE

ADH 7/12/10

MATERIAL

10420

APPROV / DATE

REH 4/18/11

CSI

ChemIndustrial Systems, Inc.

PO Box 500, Cedarburg, WI 53012

282-375-8570 • (Fax) 282-375-8559 • info@chemindustrial.com

| REV | DESCRIPTION | BY / DATE | CCN |
|-----|-------------|-----------|-----|
| | | | |

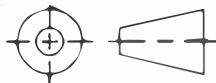
ALL DIMENSIONS ARE IN DECIMAL INCHES
TOLERANCES UNLESS OTHERWISE SPECIFIED

POLYETHYLENE

±1% @ 68°F

METAL
DECIMAL ± .125"
FRACTION ± 1/4"
ANGLE ± 1°

THIRD ANGLE PROJECTION
ANSI 114.5P



SHOT WEIGHT: 34.00 LBS

SHIP WEIGHT: 36.00 LBS

FINISH:

NOTES:

1.) 0.20 WALL THICKNESS

DESCRIPTION

23" DIA. X 100 GALLON CONE BOTTOM

SCALE

N.S.

PART NO.

TCB100GAL-PE-23DIA-OC*