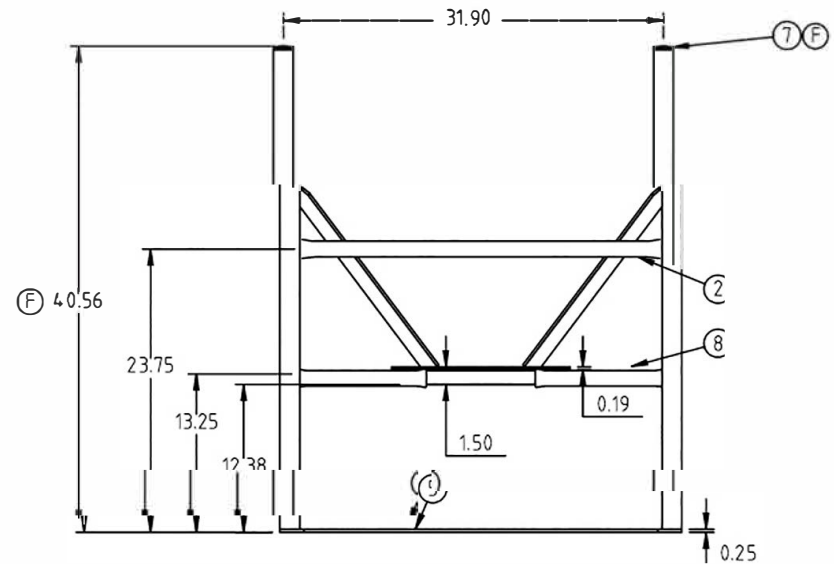
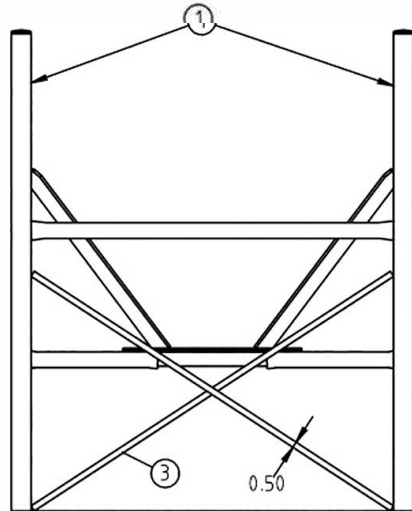
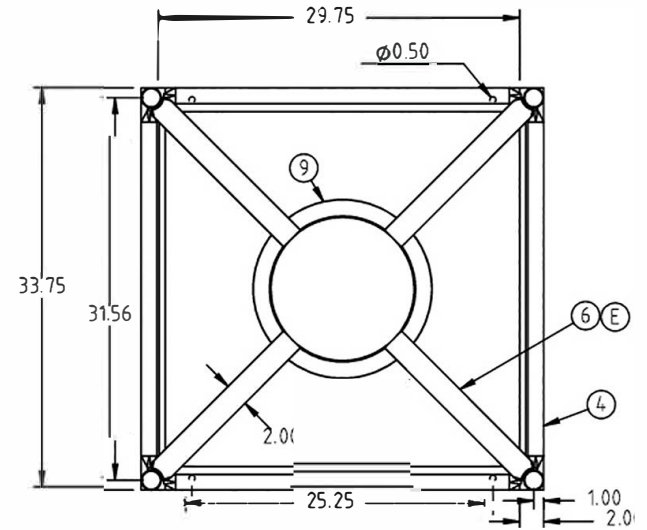


← GO BACK

KEY	PART NUMBER	MATERIAL	DESCRIPTION	QTY.
1	CB042-45ST-1	T1660X01090	1.66 RD MILD STL FULL	4 @ 40 IN (160 IN)
2	CB042-45ST-2	T1000X01090	1" OD ROUND MILD STEEL .109 WALL	4 @ 30 IN (120 IN)
3	CB042-45ST-3	R05000	1/2" MILD STEEL ROD	4 @ 36 IN (144 IN)
4	CB042-45ST-4	B02500X20000	1/4 X 2 FLAT BAR	2 @ 33.75 IN (67.5 IN)
5	CB042-45ST-5	B02500X20000	1/4 X 2 FLAT BAR	2 @ 29.75 IN (59.5 IN)
6	CB042-45ST-6	S-2500	SHEET, 1/4" SHEET STEEL	4 @ 21.75 X 2 IN (174 SI)
7	12686	62202	1-1/2" PIPE PLUG	4
8	CB042-45ST-8	T1000X01090	1" OD ROUND MILD STEEL .109 WALL	4 @ 15.25 IN (61 IN)
9	RAR-12	RAR-12	ROLLED ANGLE, 12" PLAIN	1

Ⓔ
Ⓕ
Ⓖ



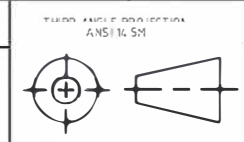
F	12686 PLUG WAS CB042-45ST-7.4056 WAS 40.25	ADH 6/17/09	1888
E	SUPPORT STRAP DESIGN MODIFIED	ADH 2/6/09	1797
D	DESCRIPTION CORRECTED	ADH 2/5/08	1587
C	CB042-45ST-8 ADDED TO SCHEDULE	ADH 1/23/08	1578
B	TOLERANCE WAS 1% @68°F	GWC 3/8/07	
A	ADDED B.O.M.	NVE 5/15/06	
REV	DESCRIPTION	BY / DATE	CCN

DRAWN / DATE	MATERIAL
ADH 6/15/07	
APPROVED / DATE	
REH 7/12/07	

ALL DIMENSIONS ARE IN DECIMAL INCHES
TOLERANCES UNLESS OTHERWISE SPECIFIED

POLYETHYLENE
±1% @ 68°F

METAL
DECIMAL ± .125"
FRACTION ± 1/4"
ANGLE ± 1°



SHOT WEIGHT:	NOTES:
SHIPPING WEIGHT:	
FINISH:	

CSI
ChemIndustrial Systems, Inc.
PO Box 500, Cedarburg, WI 53012
262-375-8570 • (Fax) 262-375-8559 • info@chemindustrial.com

DESCRIPTION: STAND FOR 45• 200,300,350 GALLON CONE BOTTOM TANKS

SCALE: N.S. PART NO. **ST42-45-STEEL**