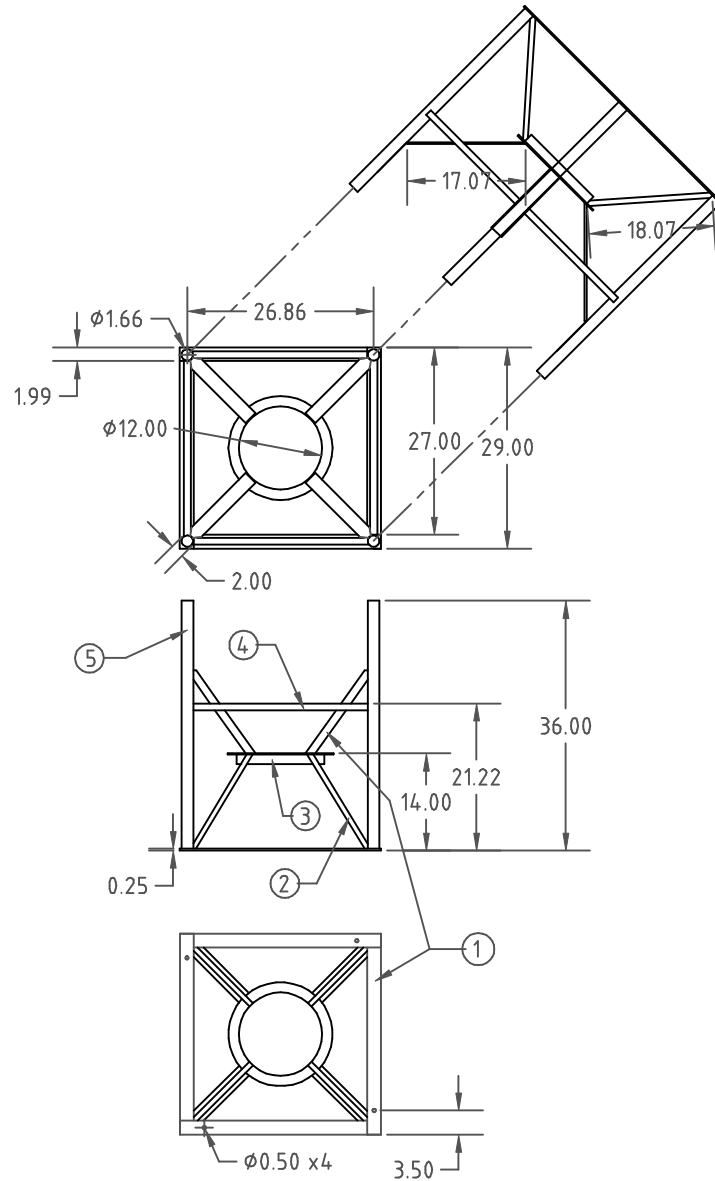



**← GO BACK**

KEY	PART NUMBER	DESCRIPTION	QTY.
1	B02500X20000	1/4 X 2 FLAT	180 IN
2	P05000	1/2" SIZE TUBING	71 IN
3	RAR-12	12" ROLLED ANGLE	1
4	T1000X01090	1" OD ROUND MILD X .109	101 IN
5	T1660X01090	1.66 RD MILD STL FULL	144 IN



		DRAWN / DATE DHJ 4/16/04		MATERIAL MILD STEEL	
A	ADDED HOLE SPACING DIMS AND B.O.M.	5/15/06	NVE	APPRD. / DATE	
REV	DESCRIPTION	DATE	APPRD		
ALL DIMENSIONS ARE IN DECIMAL INCHES TOLERANCES UNLESS OTHERWISE SPECIFIED ± 1% @ 68° F				THIRD ANGLE PROJECTION ANSI 14.5M 	
				NOTES: 1. BLACK COLOR - POWDER COATED 2. WEIGHT 63 LBS.	



**ChemIndustrial Systems, Inc.**  
 PO Box 500, Cedarburg, WI 53012  
 262-375-8570 • (Fax) 262-375-8559 • info@chemindustrial.com

SCALE N.S.	PART NO. ST36-45-STEEL
---------------	---------------------------