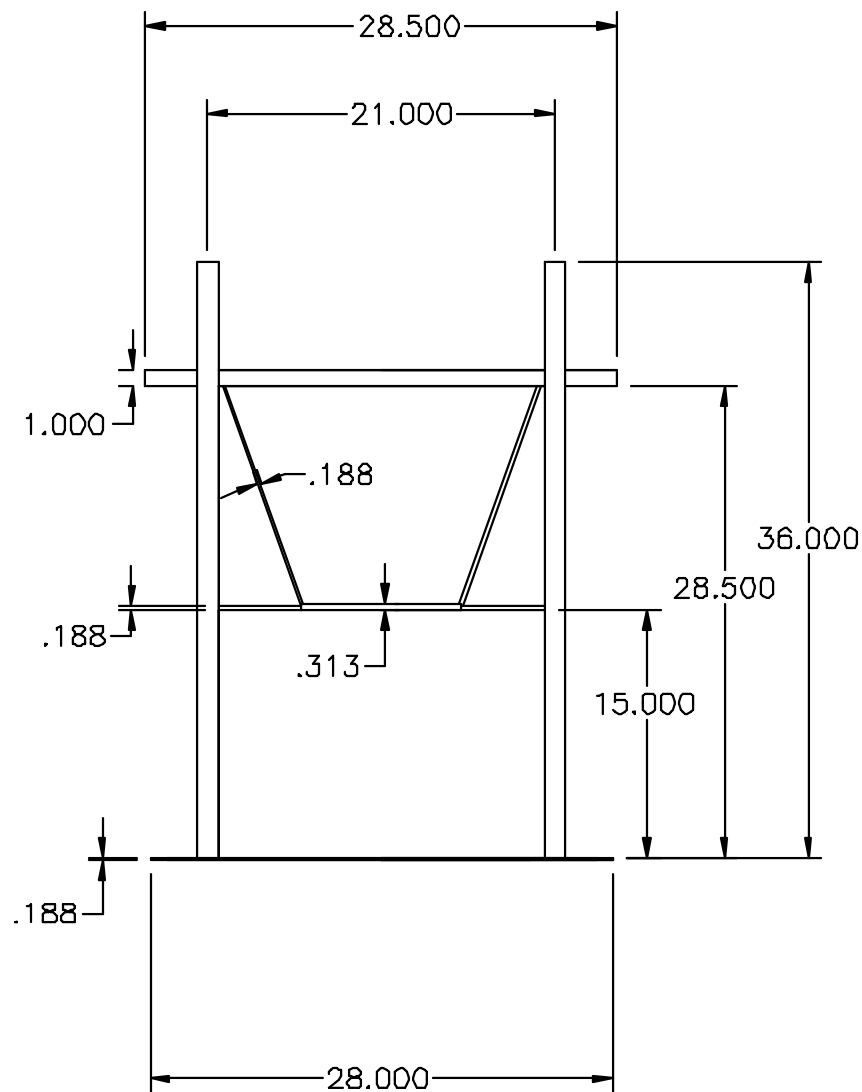
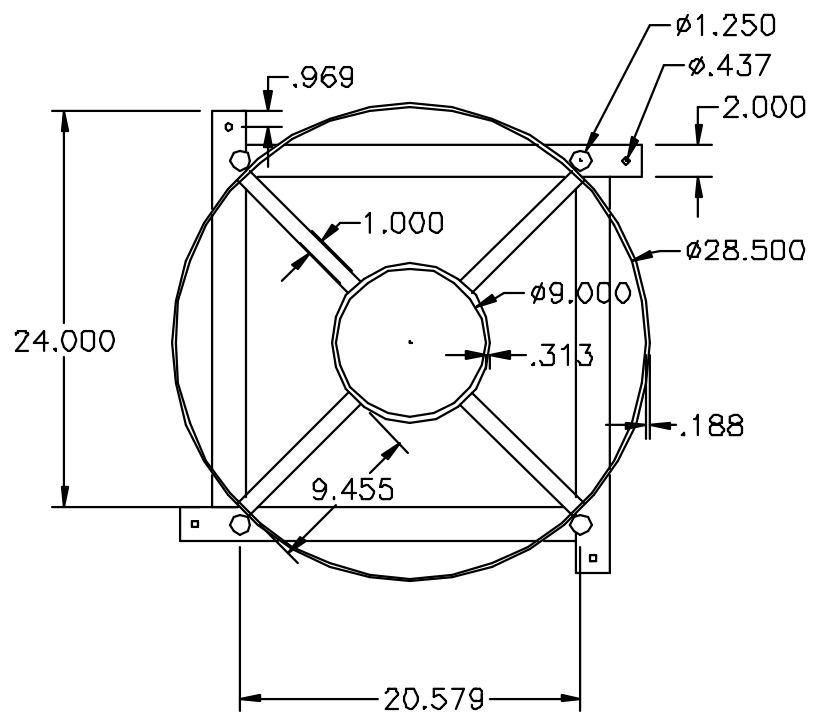


← GO BACK



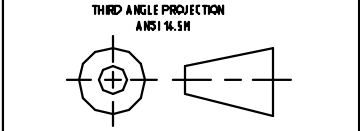
REV	DESCRIPTION	DATE	APPRD

DRAWN / DATE  
NVE 6/20/15

APPRD. / DATE  
DHJ 6/22/15

MATERIAL  
STEEL  
REFERENCE MATERIAL DATA SHEET  
FOR SPECIFIC PROPERTIES.

ALL DIMENSIONS ARE IN DECIMAL INCHES  
TOLERANCES UNLESS OTHERWISE SPECIFIED  
± 1% @ 68° F



NOTES:  
1. NOM. WALL @ xxxxx  
2. xxxxxxxxxx COLOR  
3. SHOT WEIGHT 40 LBS.

**CSI**  
ChemIndustrial Systems, Inc.  
PO Box 500, Cedarburg, WI 53012  
262-375-8570 • (Fax) 262-375-8559 • info@chemindustrial.com

SCALE N.S.	PART NO. ST30DIA-60DEG
---------------	---------------------------