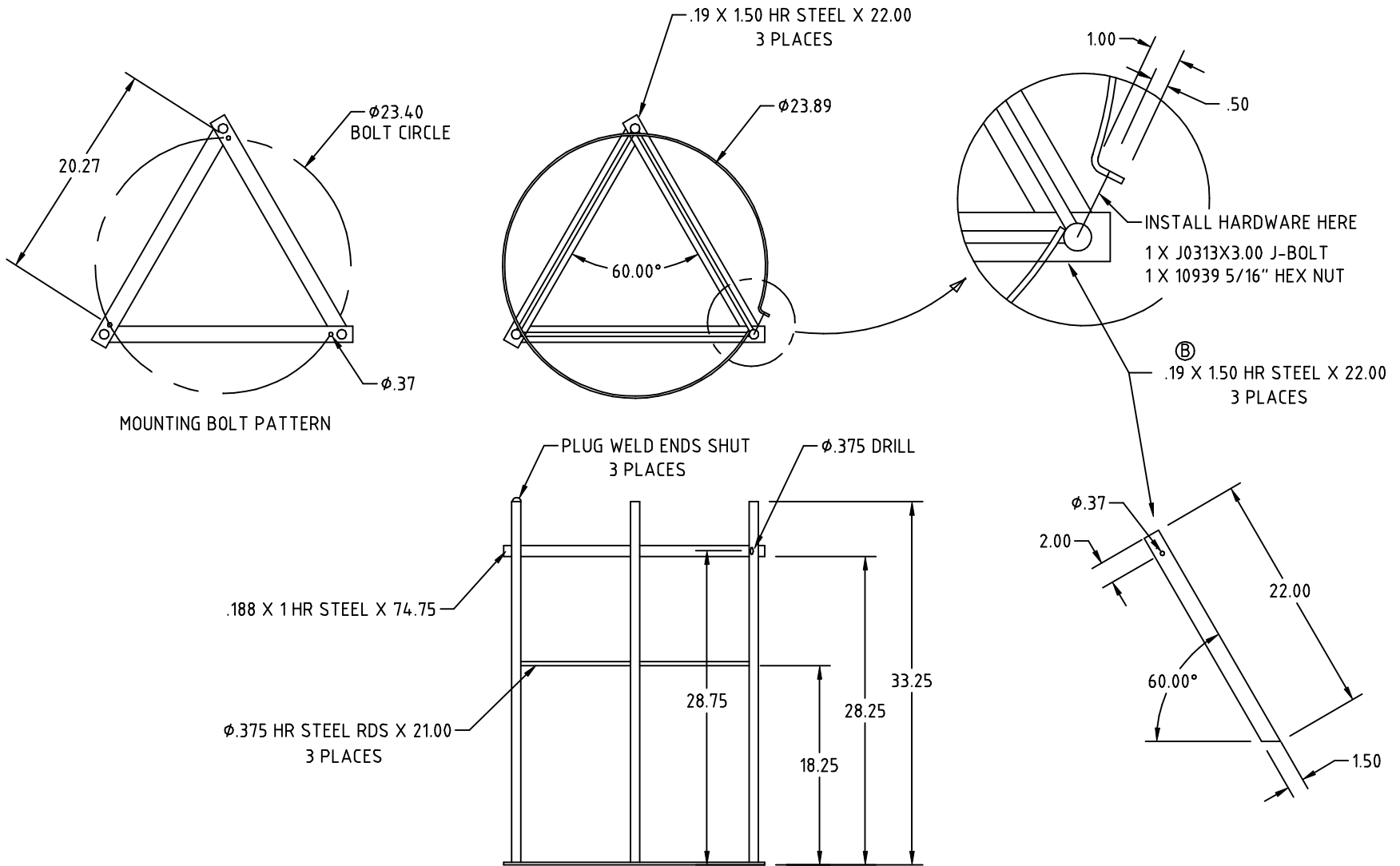


← GO BACK

ST24DIA-45DEG

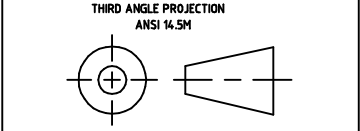


B	CHANGE BASE THICKNESS	9/11/06		
A	GENERAL PRINT UPDATE	3/17/06		
REV	DESCRIPTION	DATE	APPRD	

DRAWN / DATE	REH / 3/17/06
APPRD. / DATE	REH / 3/17/06

MATERIAL	MILD STEEL REFERENCE MATERIAL DATA SHEET FOR SPECIFIC PROPERTIES.
----------	-------------------------------------------------------------------------

ALL DIMENSIONS ARE IN DECIMAL INCHES
TOLERANCES UNLESS OTHERWISE SPECIFIED
± 1% @ 68° F



NOTES:
1. ALL WELDS TO BE FULL
2. POWDER COAT BLACK
3. SHIPPING WEIGHT = 20LB.



ChemIndustrial Systems, Inc.
PO Box 500, Cedarburg, WI 53012
262-375-8570 • (Fax) 262-375-8559 • info@chemindustrial.com

SCALE	N.S.	PART NO. ST24DIA-45DEG
-------	------	----------------------------------