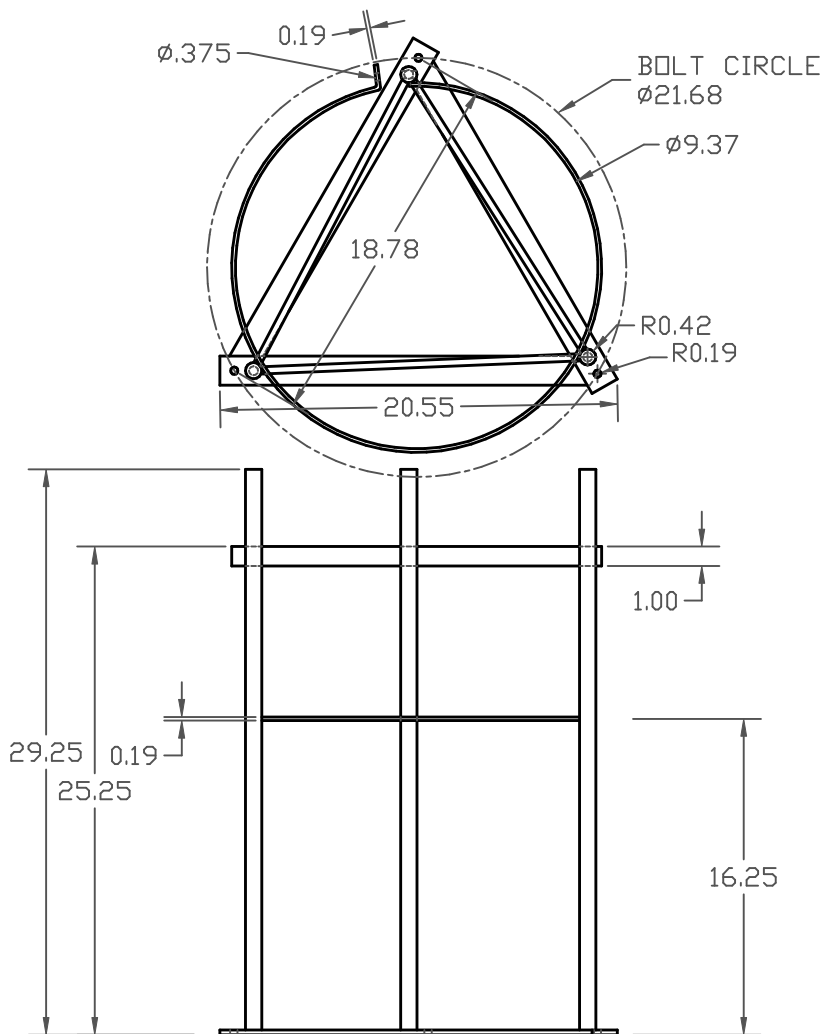


← GO BACK



		DRAWN /DATE DHJ 7/14/04		MATERIAL / SHOT WEIGHT		<p style="text-align: center;"><b>CSI</b> ChemIndustrial Systems, Inc. PO Box 500, Cedarburg, WI 53012 262-375-8570 • (Fax) 262-375-8559 • info@chemindustrial.com</p>	
A		DHJ 12\23\04		STEEL			
REV	DESCRIPTION	DATE	APPRD.	NOTES:		SCALE	PART NO.
ALL DIMENSIONS ARE IN DECIMAL INCHES TOLERANCES UNLESS OTHERWISE SPECIFIED ± 1% @ 68° F		THIRD ANGLE PROJECTION ANSI 14.5M				NONE	ST19-45-STEEL